

Bracton CO₂ Detector /optional O₂ Detector



Reliable safety solution for
detection of dangerous gases

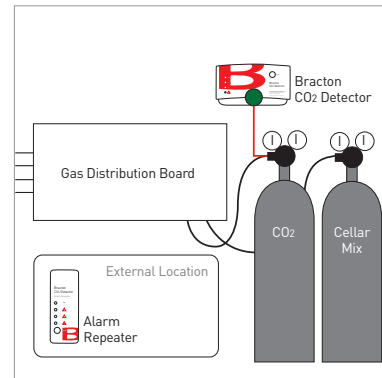
Part of Bracton's leak management system



Essential for any cellar, choose Bracton for protection you can trust. Recommended by breweries. Stop potential emergencies before they occur with Bracton's unique auto-shut off valve.



When either of the red lights are flashing and an alarm is sounding, there is a leak. Bracton's **unique shut-off valve** will turn off your gas supply automatically.



Ensure the safety of your workplace & employees with Bracton's Carbon Dioxide Detector system.

In confined spaces even a 2 percent rise in CO₂ levels can be harmful. Odourless, colourless and undetectable through human senses alone, high levels of CO₂ can quickly become a silent killer.

Unlike any other detection system, Bracton's CO₂ Detector will automatically shut down your system should dangerous gas level be detected. The system is available with O₂ sensing, which may be required in

accordance with AS5034/2005 (Table 4.1 Gas Monitors). To assist with staff training and awareness, Bracton will provide an Emergency Safety Sheet which will allow you to display your emergency information.

Effective monitoring of dangerous gases is essential. Current health and safety legislation requires regular risk assessment. Available to buy, finance or rent. Call Bracton today for an on-site evaluation.

For more information on our technology please visit www.bractonbeerlineco.com.au

Bracton Industries (NSW) Pty Ltd
50 Chard Road, Brookvale NSW 2100
Phone +61 2 9938 1800 Fax +61 2 9905 0979
sales@bractonbeerlineco.com.au