

SPARE PARTS

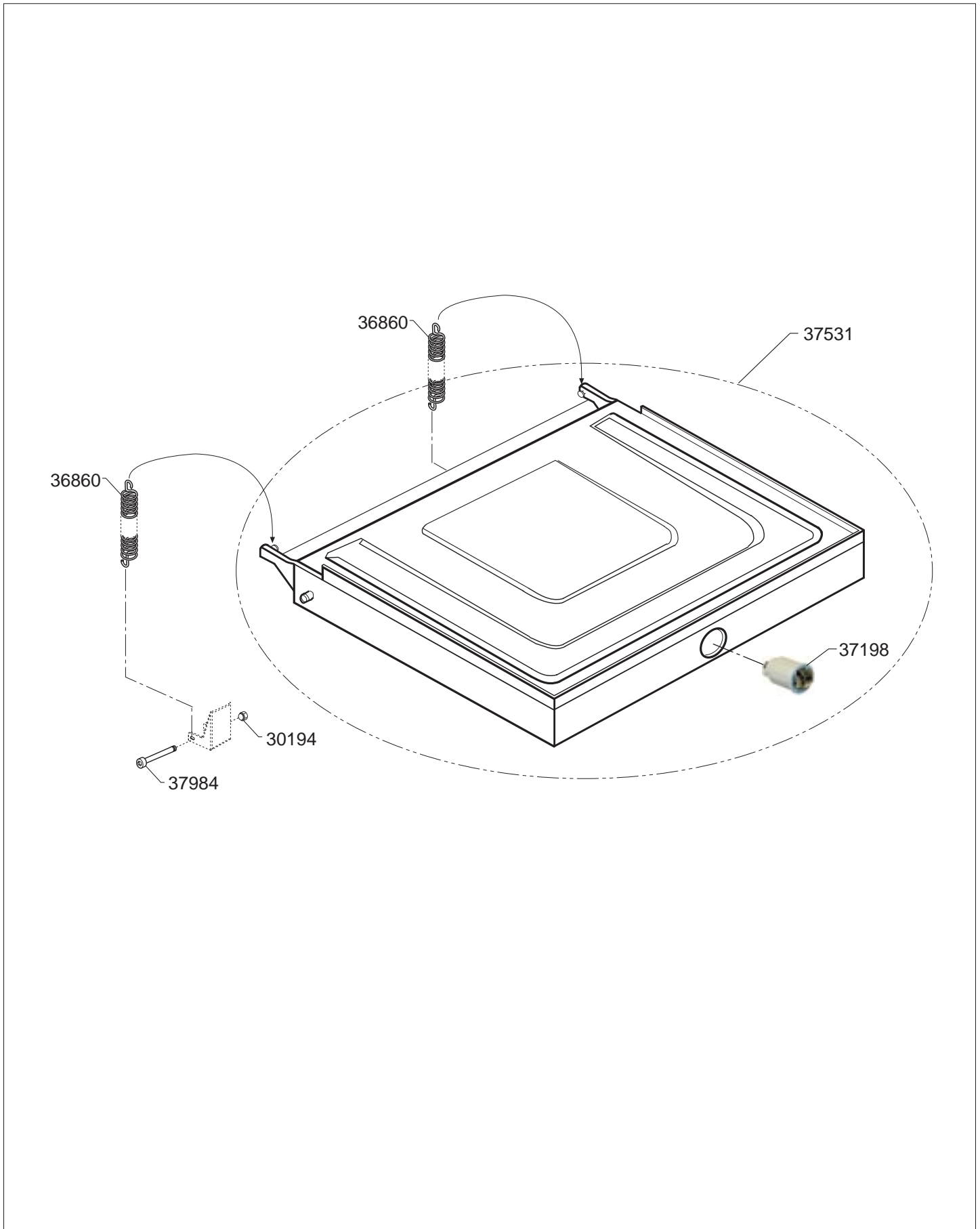


UC 500

Ed. 2009

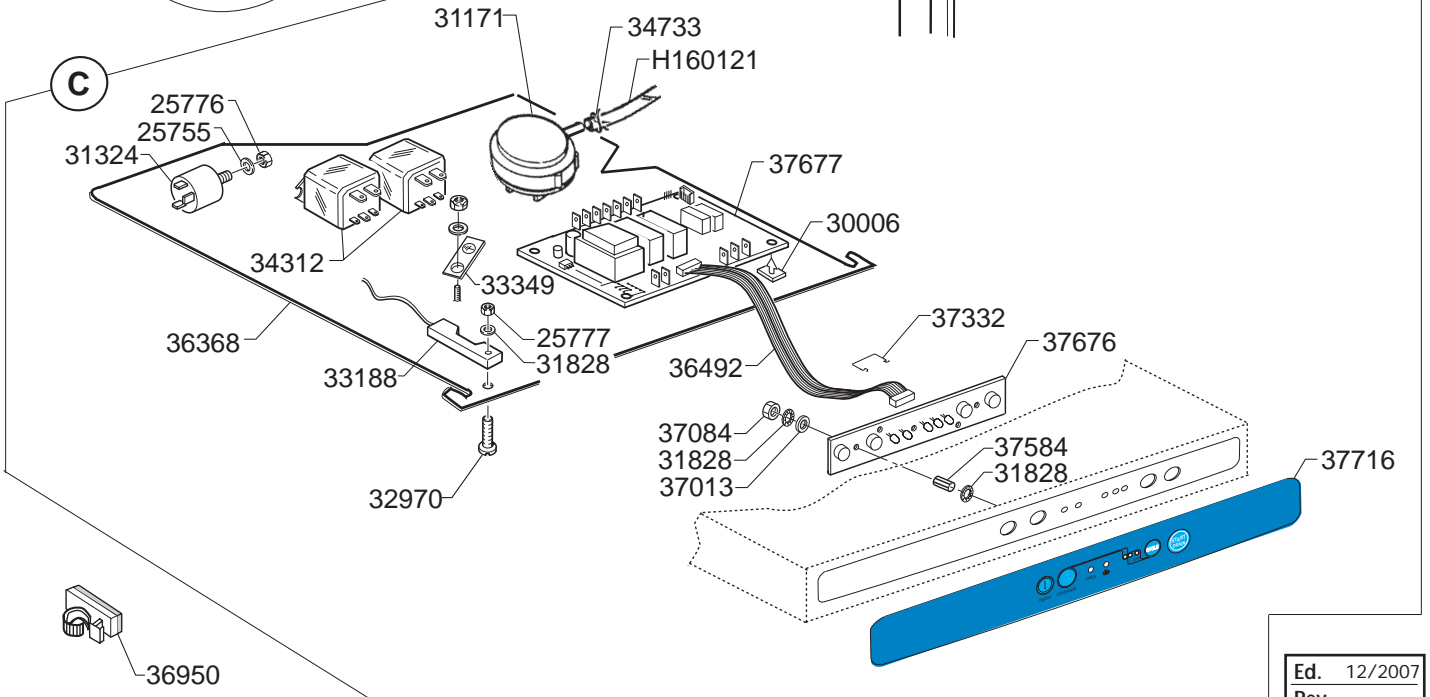
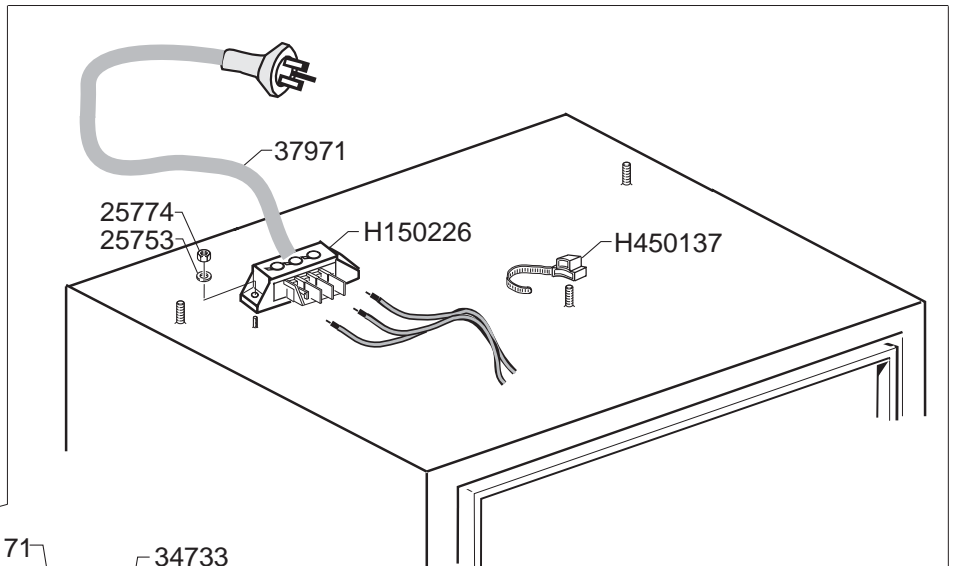
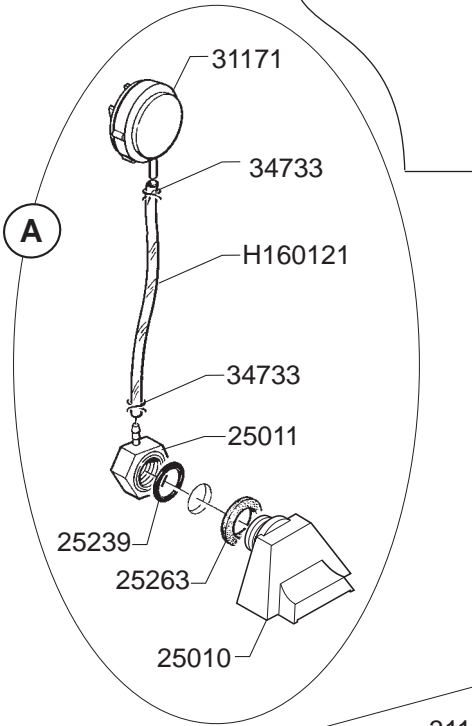
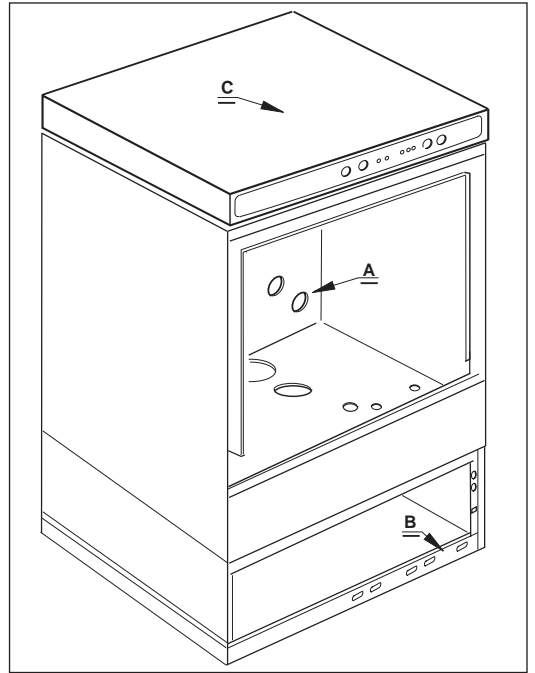
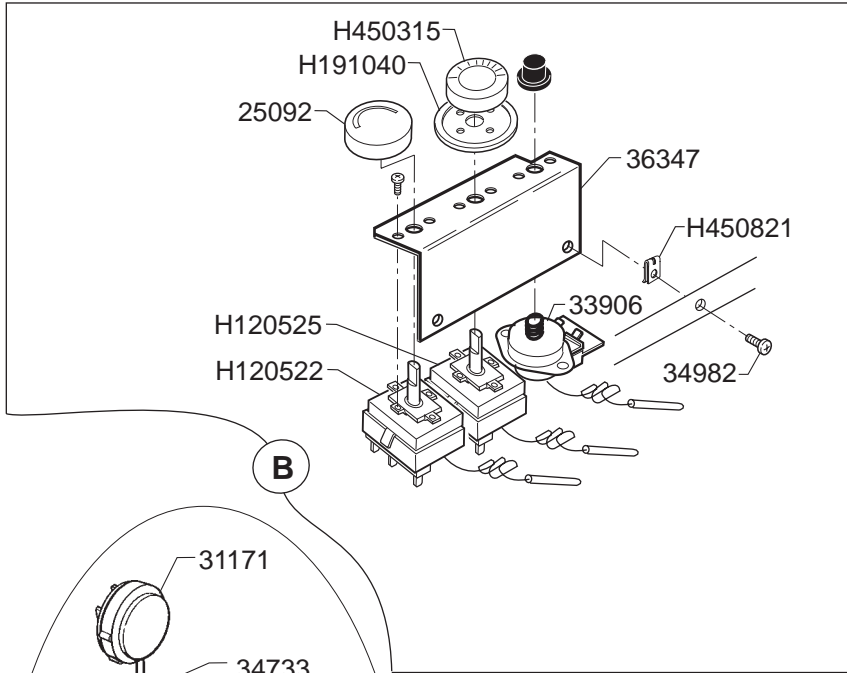
DOOR COMPONENT

FIG. 2
UC500



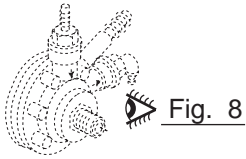
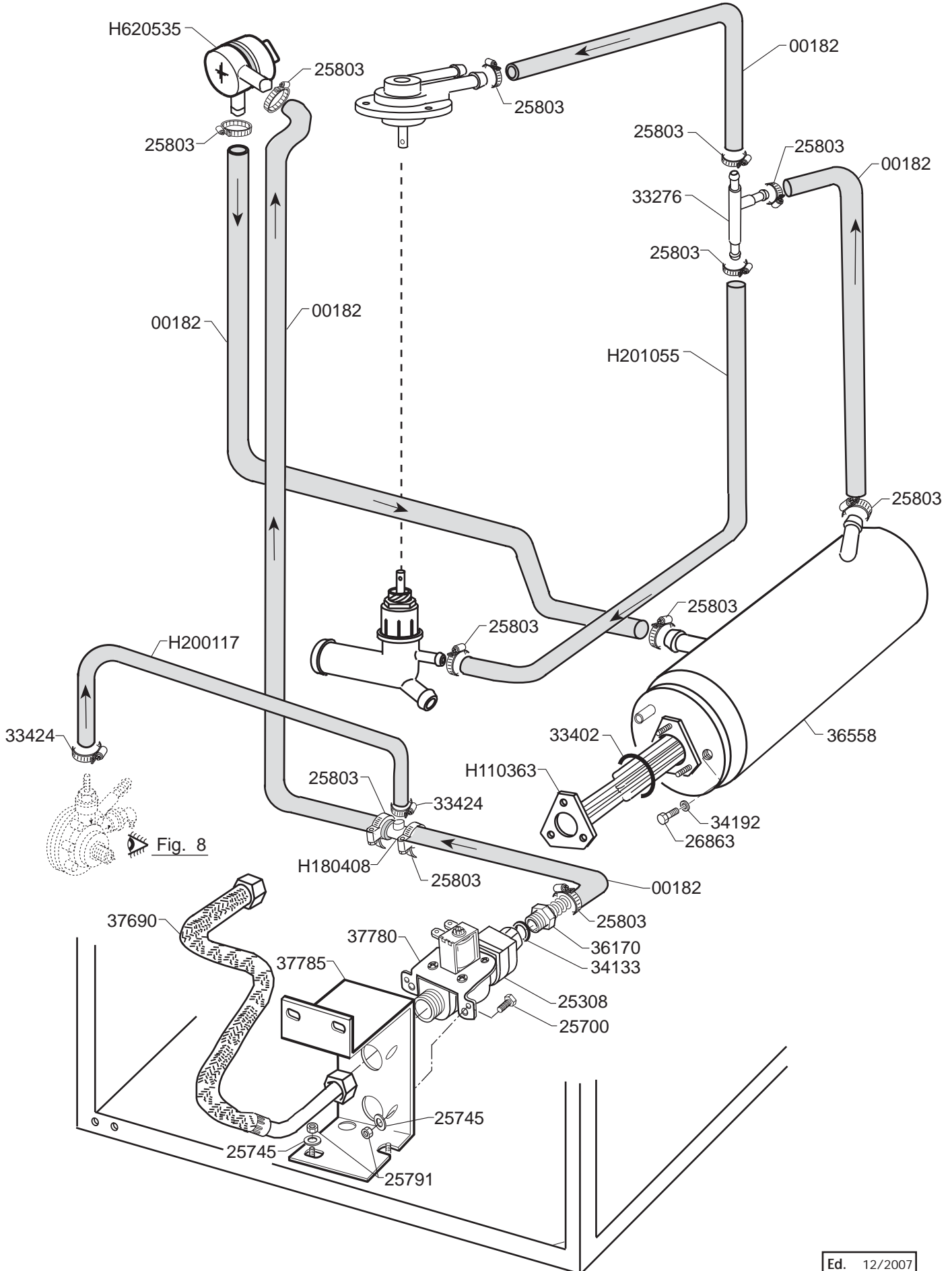
CONTROL BOX

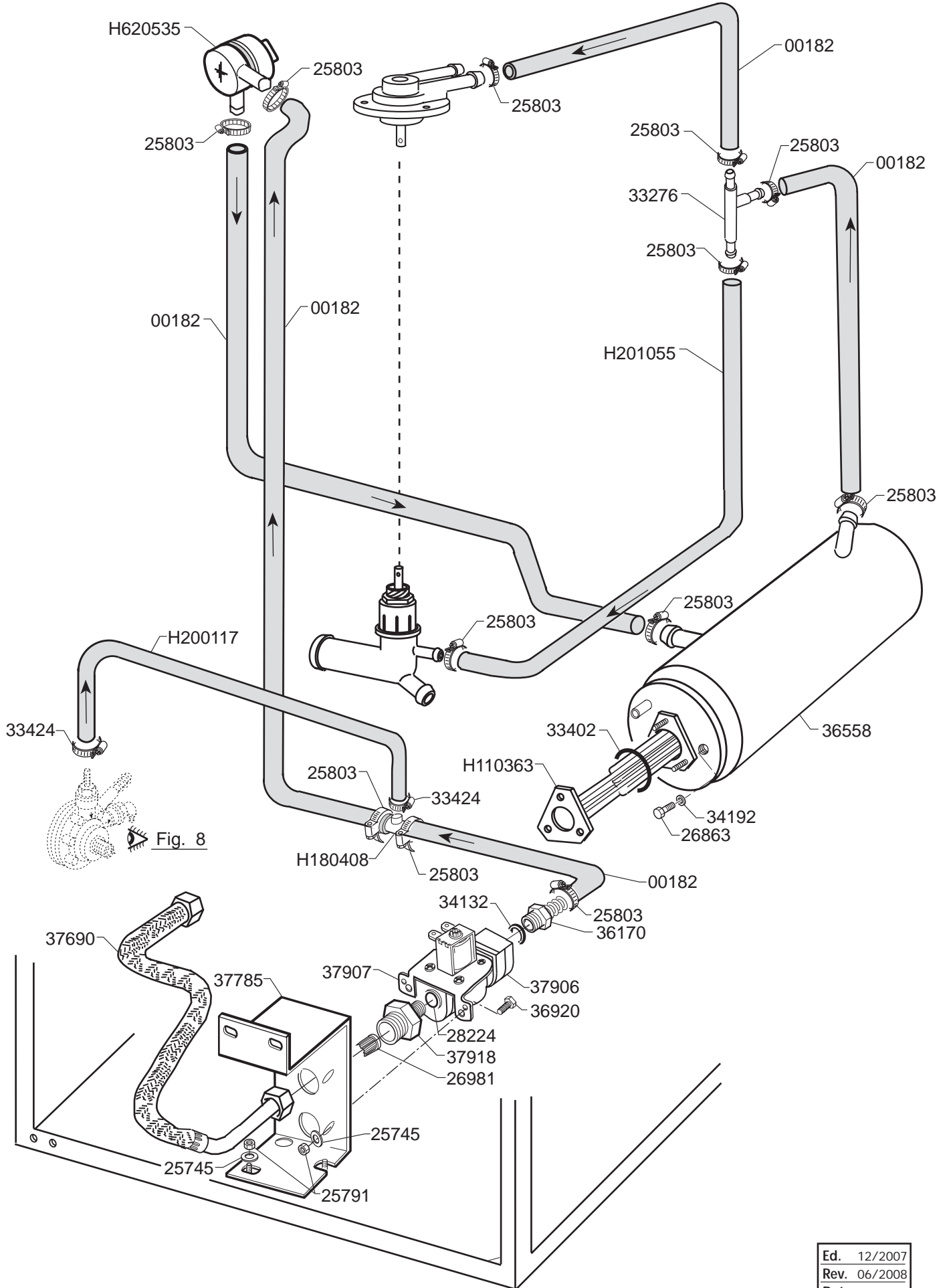
FIG. 3
UC500



RINSE ASSEMBLY

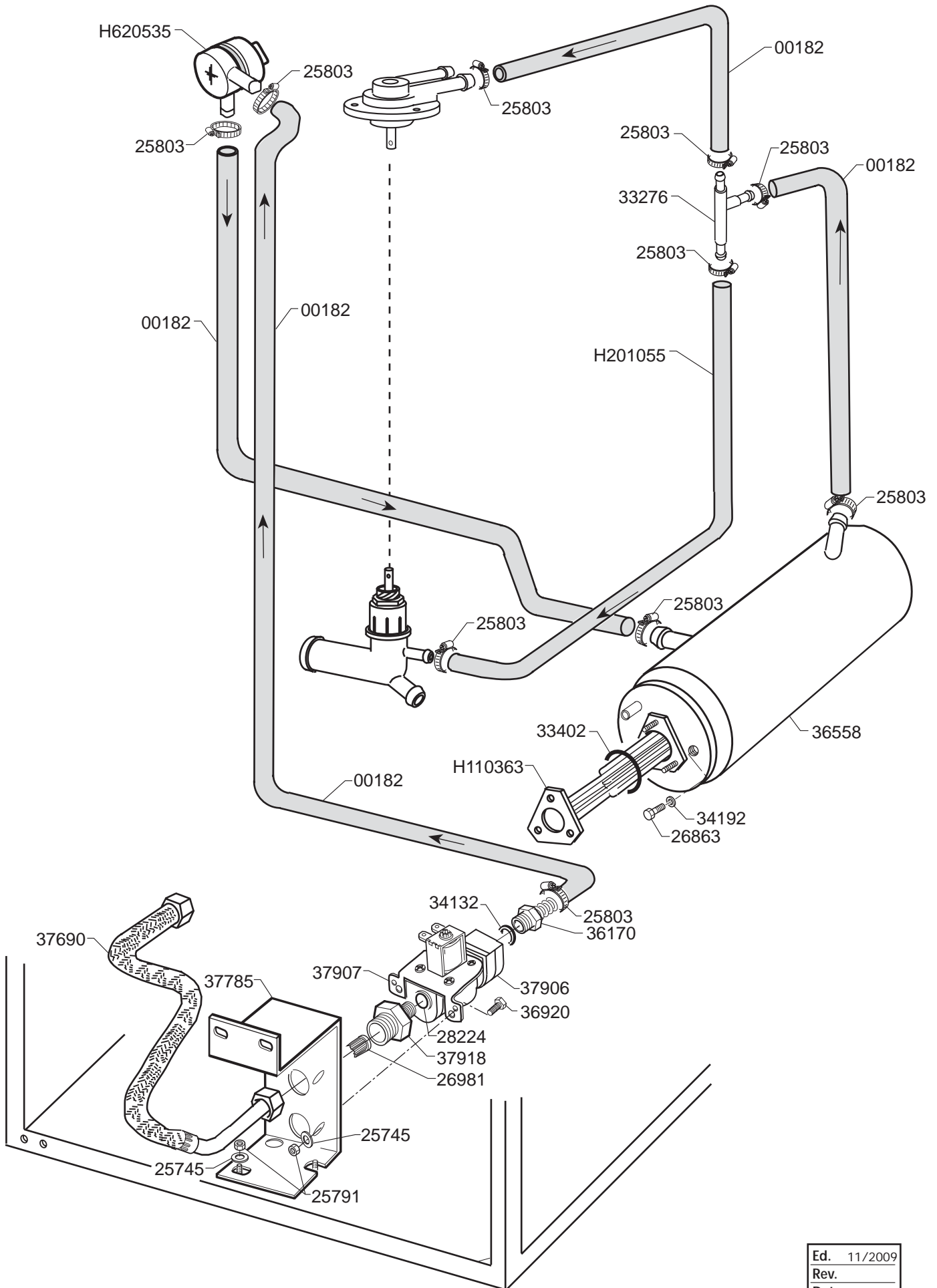
FIG. 4
UC500





RINSE ASSEMBLY

FIG. 4/B
UC500



TANK

FIG. 5
 UC500

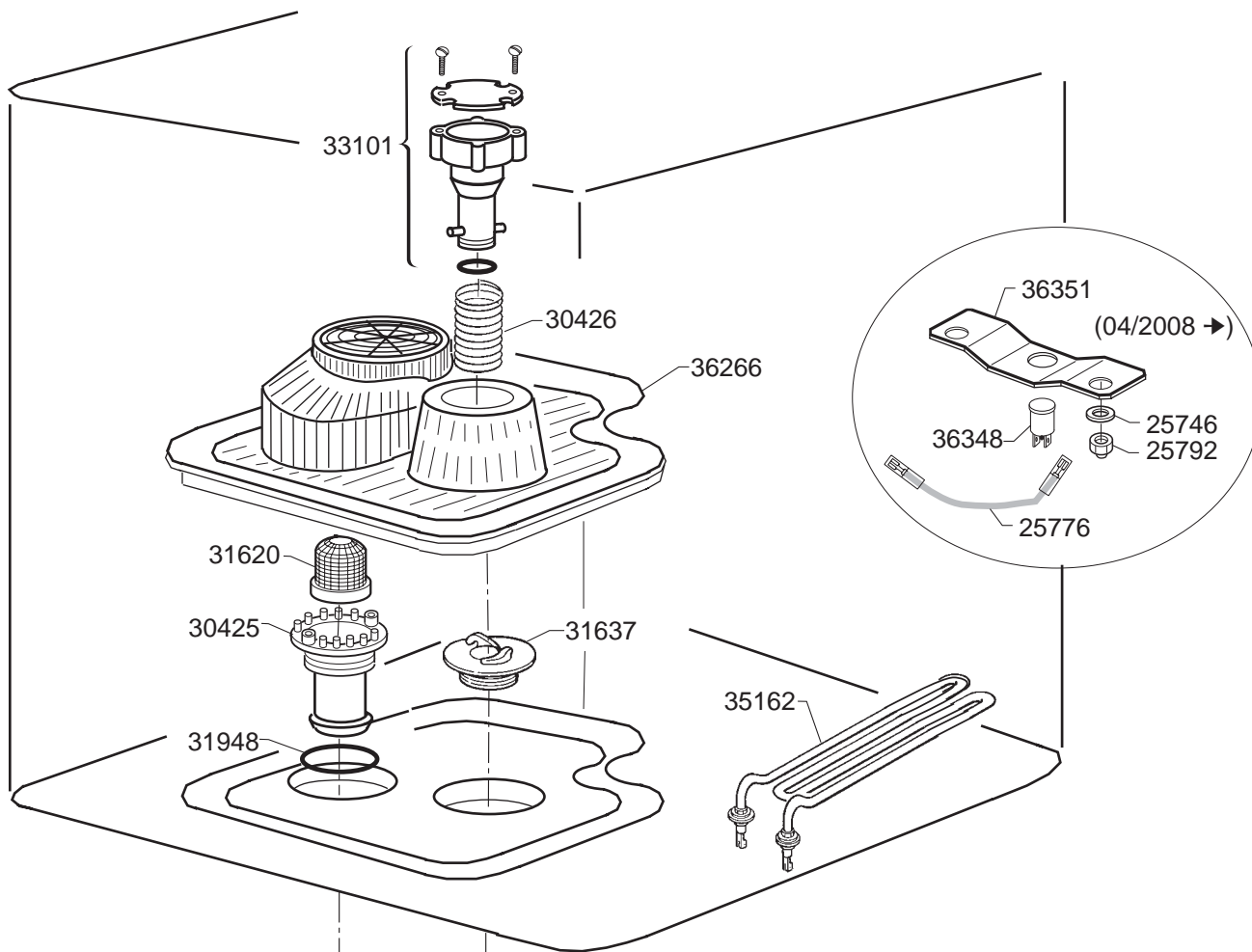


Fig. 9

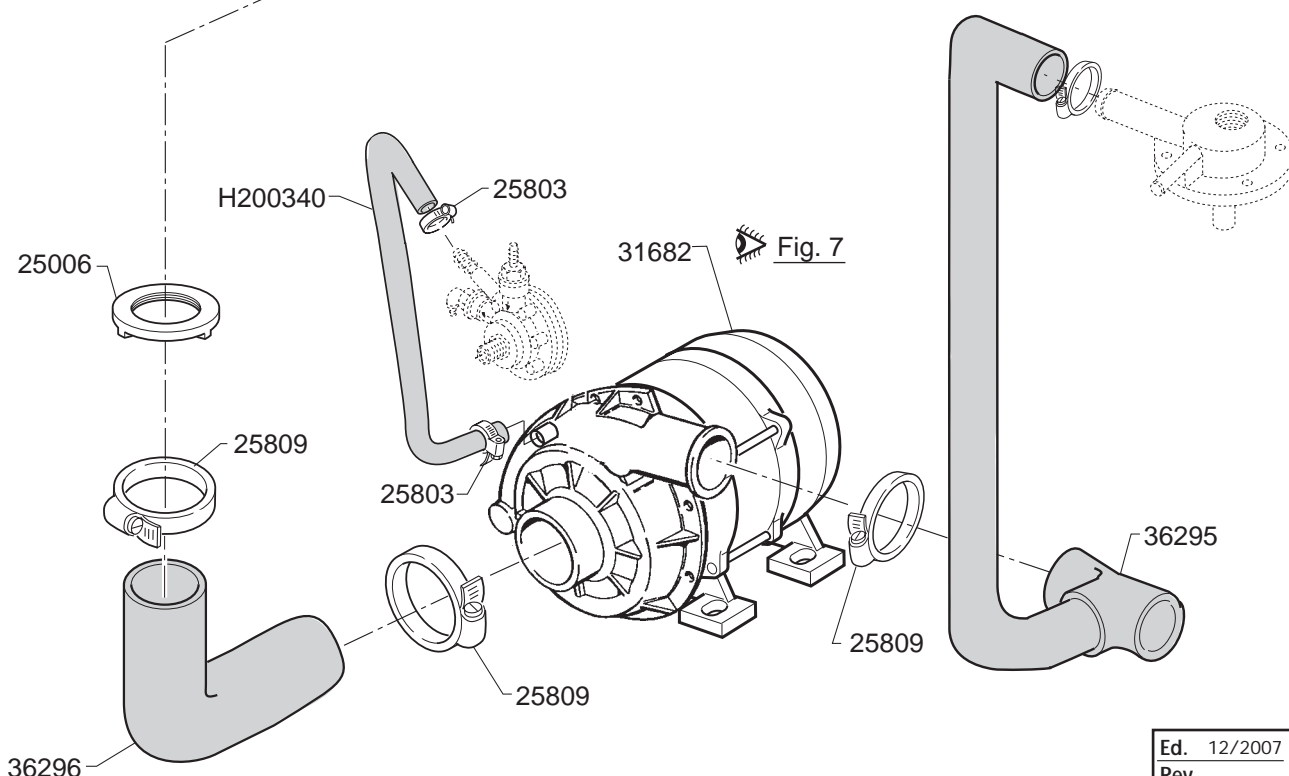


Fig. 7

Ed.	12/2007
Rev.	
Data	

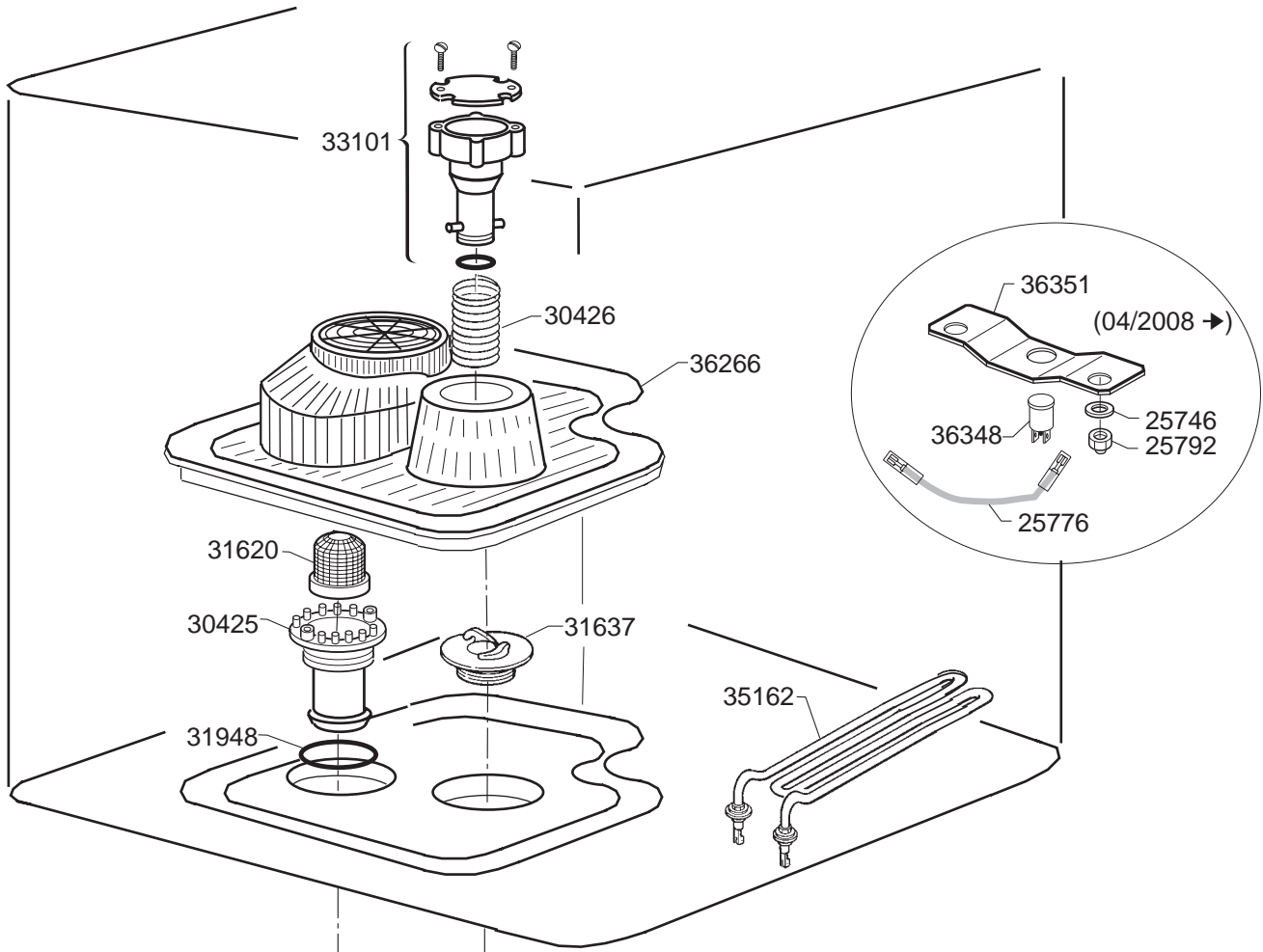


Fig. 8

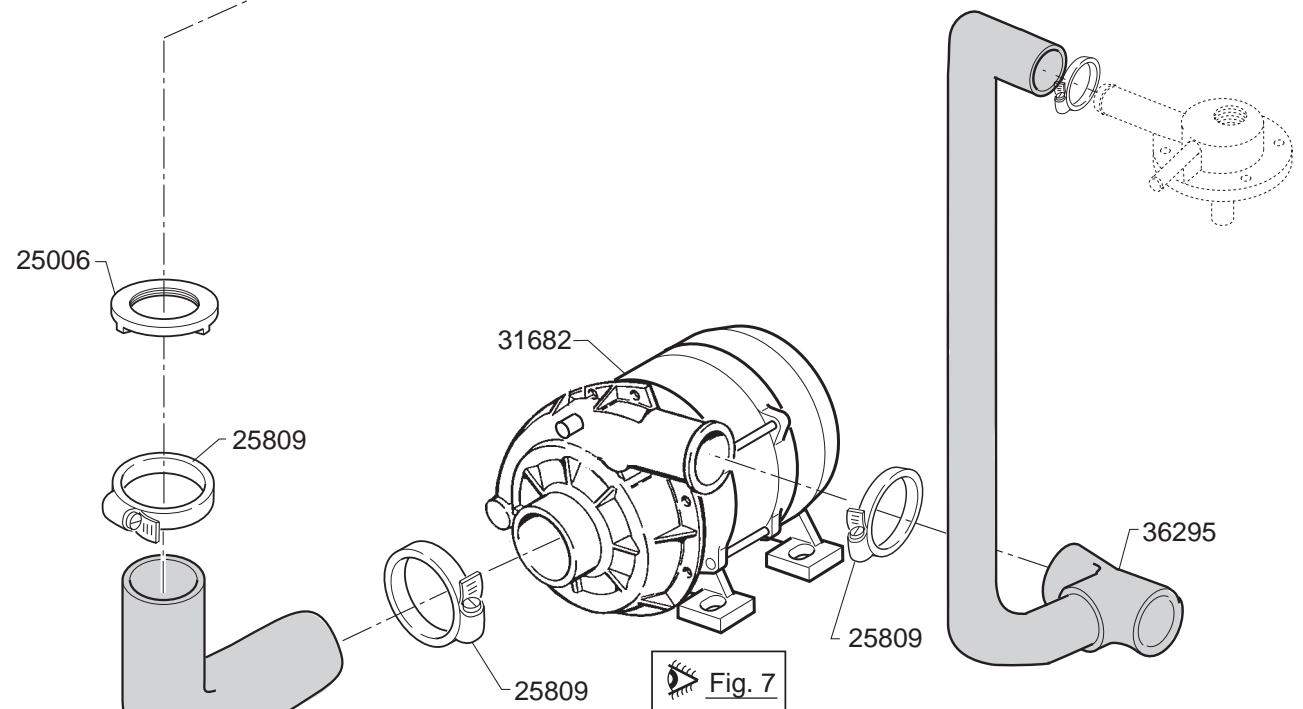


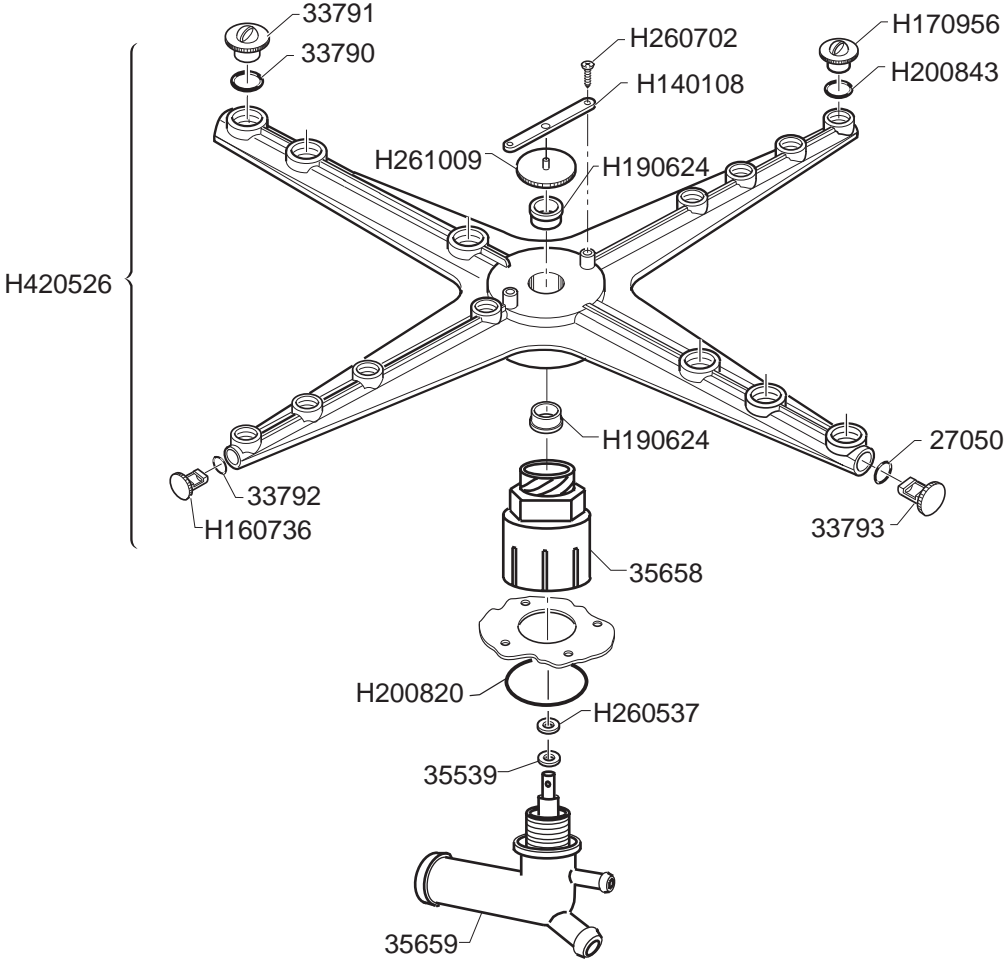
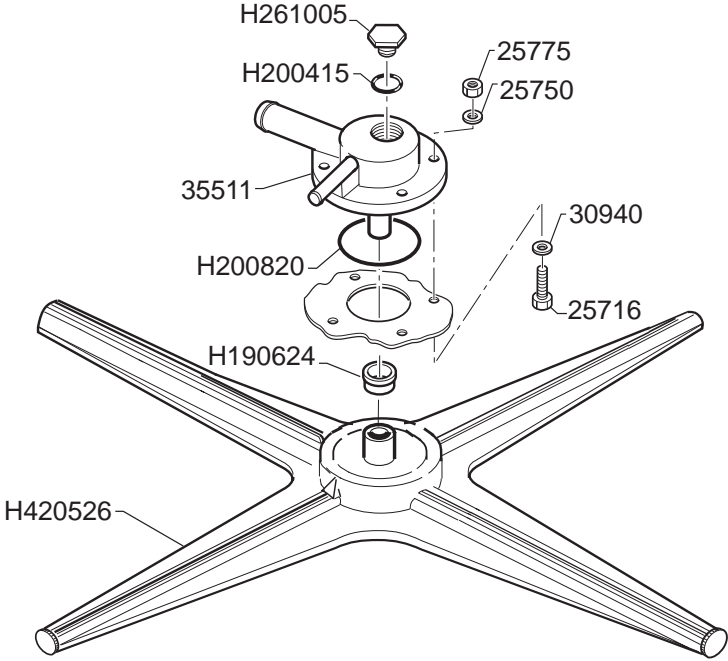
Fig. 7

Ed.	11/2009
Rev.	
Data	

WASH ARM

FIG. 6

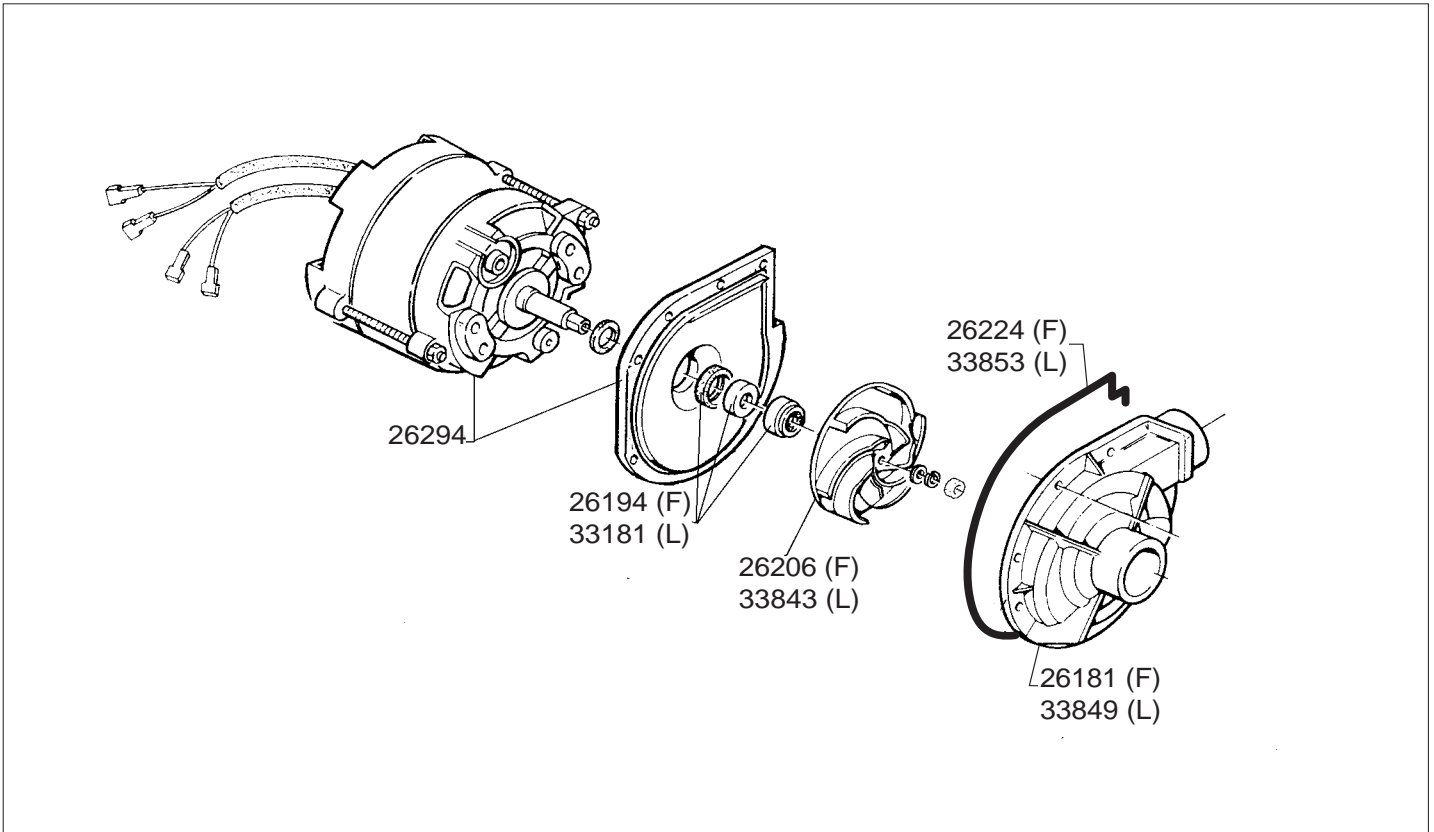
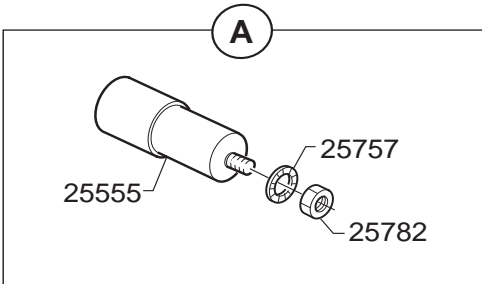
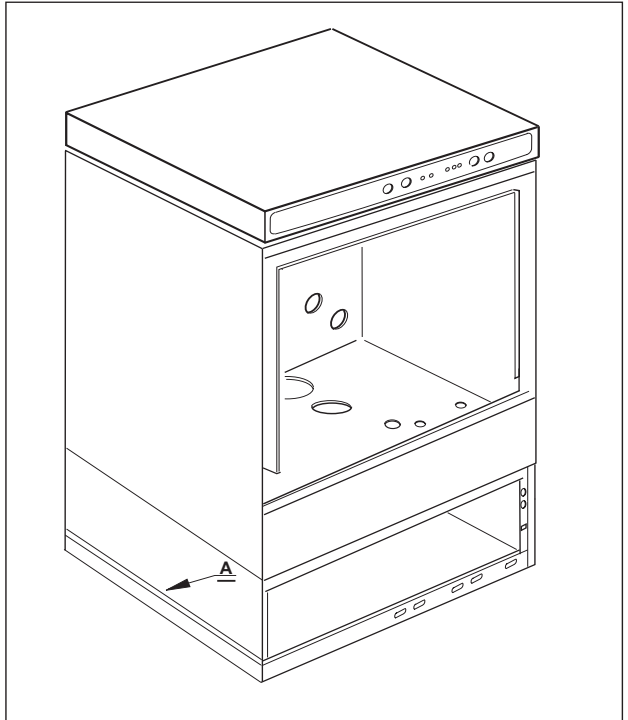
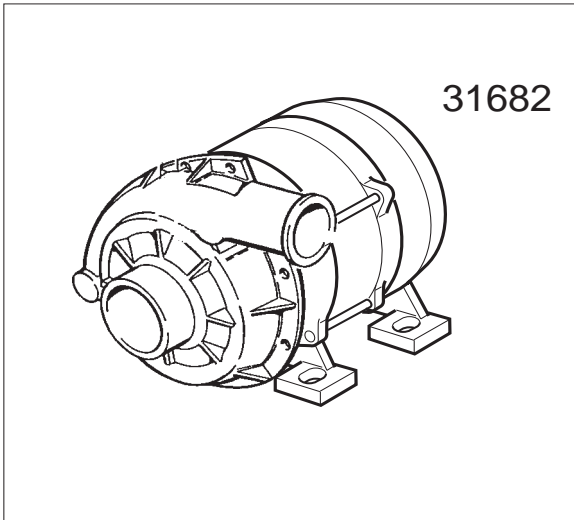
UC500



Ed.	12/2007
Rev.	
Data	

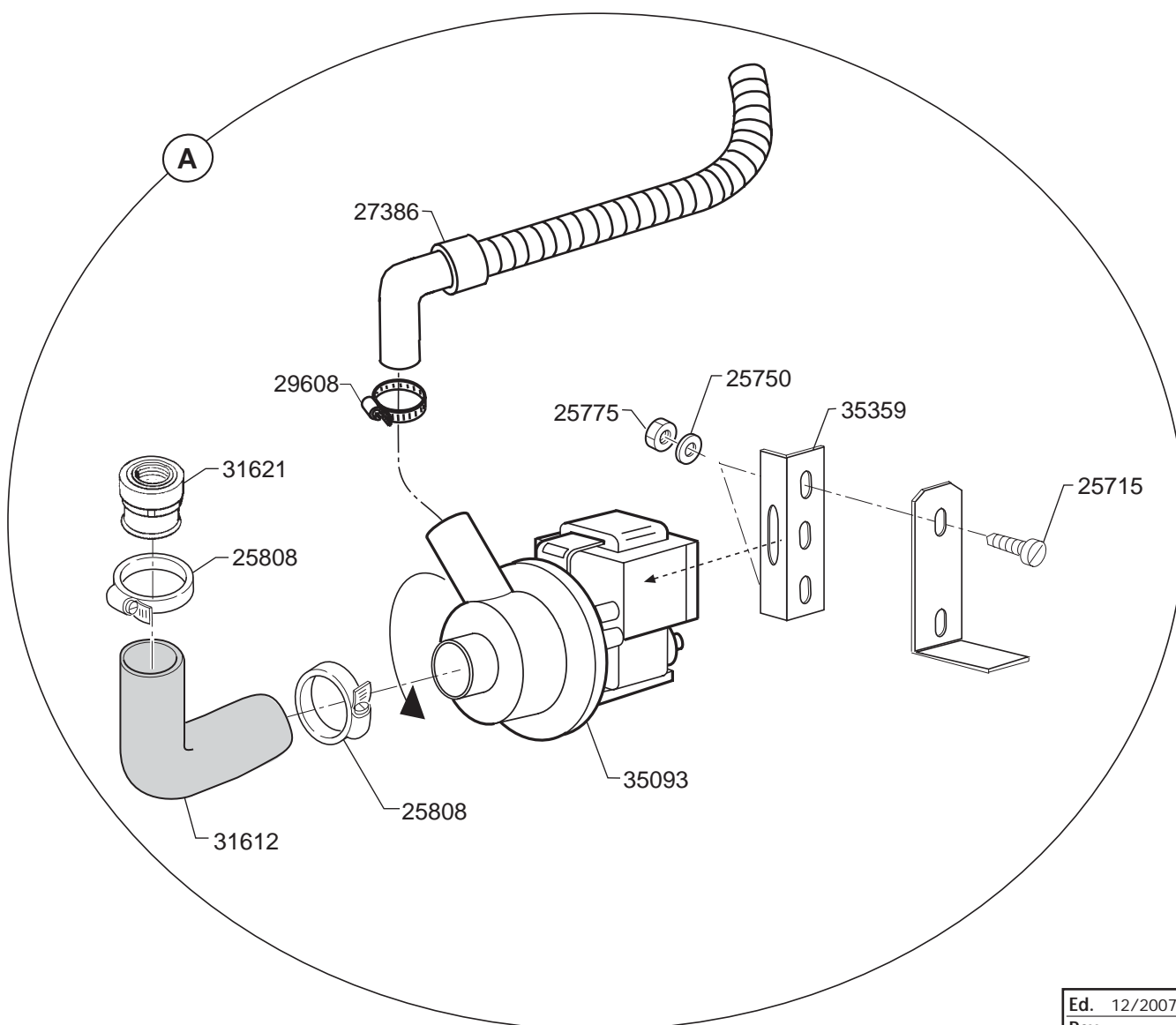
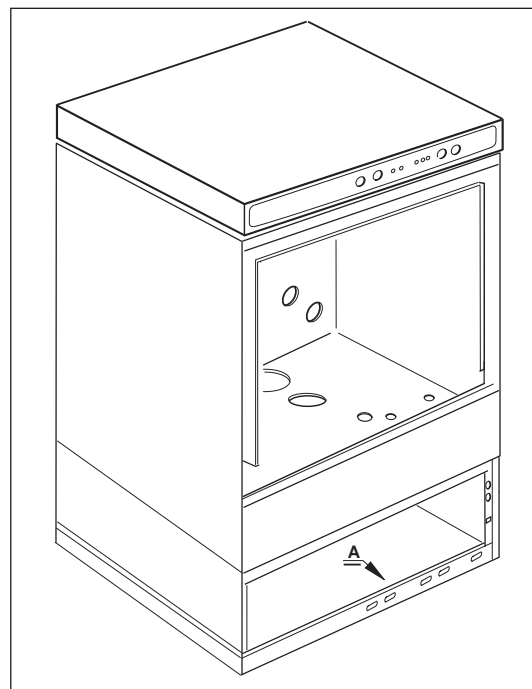
WASH PUMP

FIG. 7
UC500



DRAIN PUMP

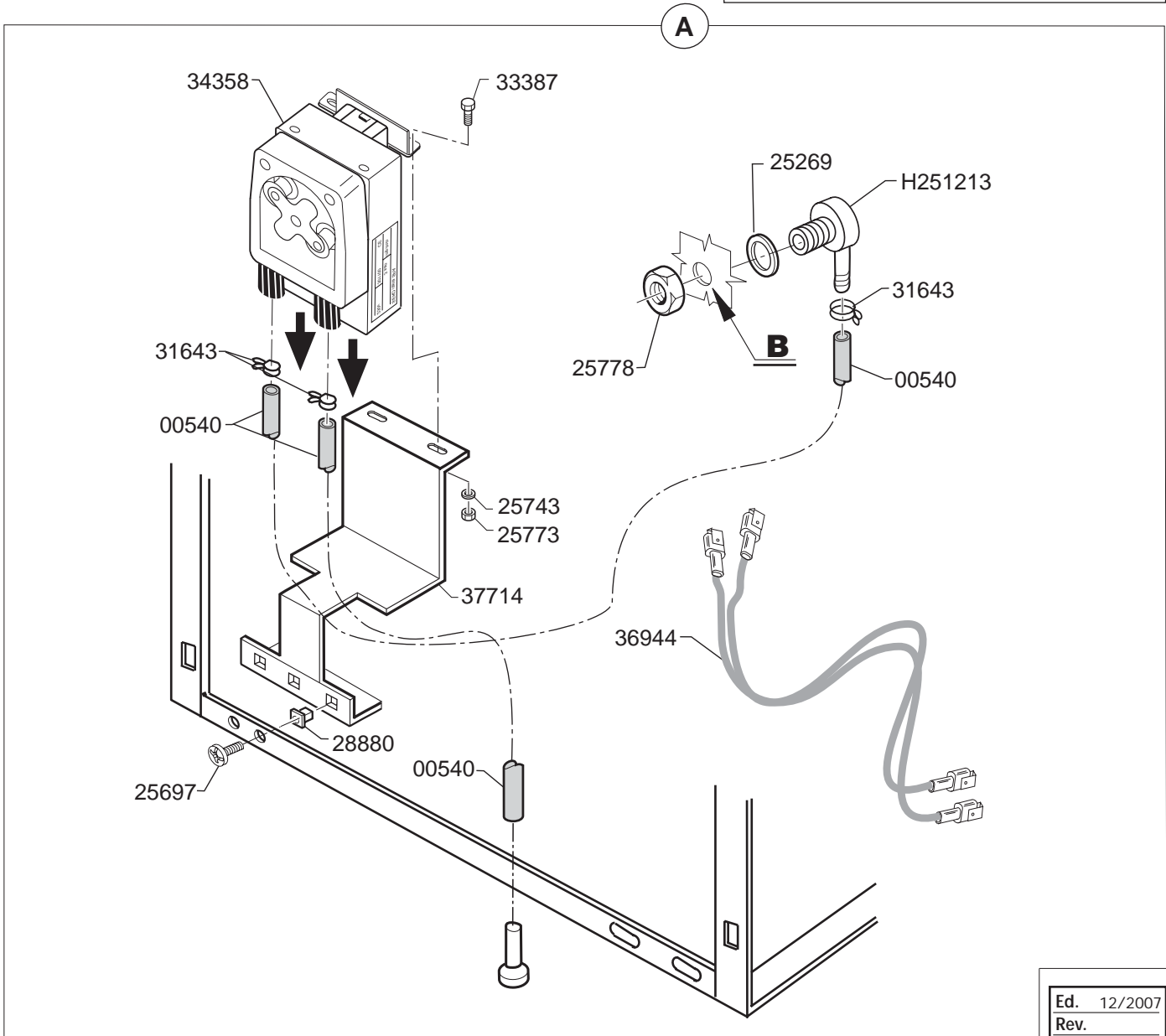
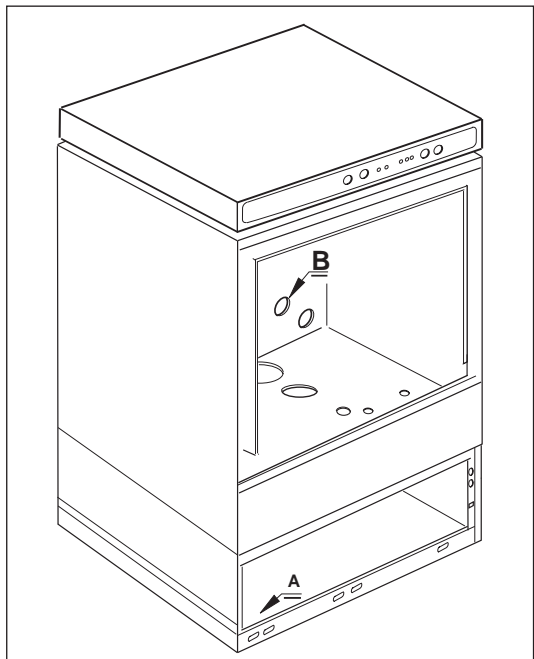
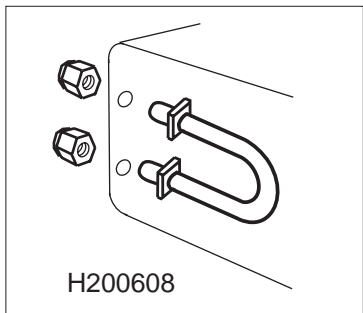
FIG. 8
UC500



DETERGENT PUMP

FIG. 9

UC500



Ed.	12/2007
Rev.	
Data	