

**SPARE PARTS**

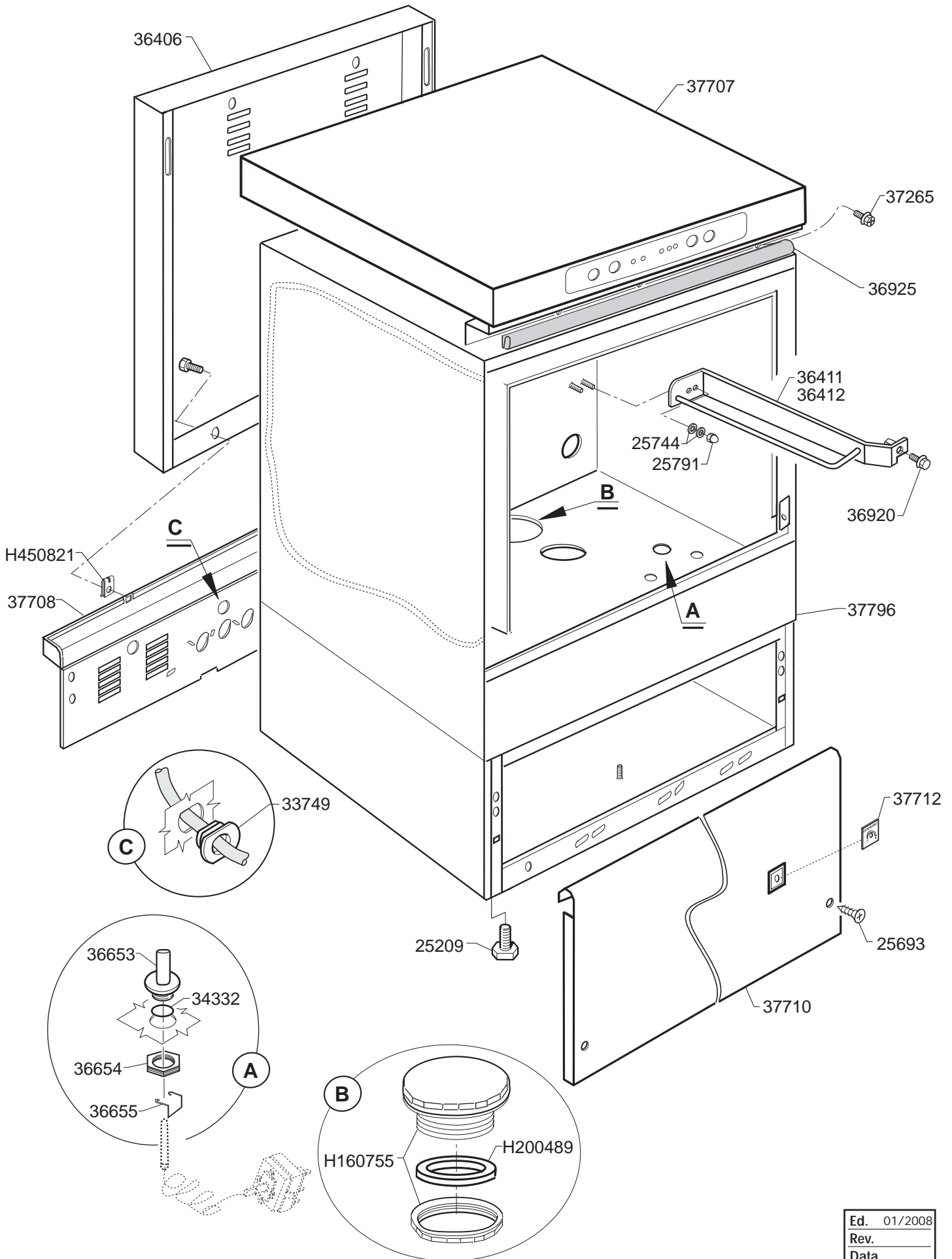


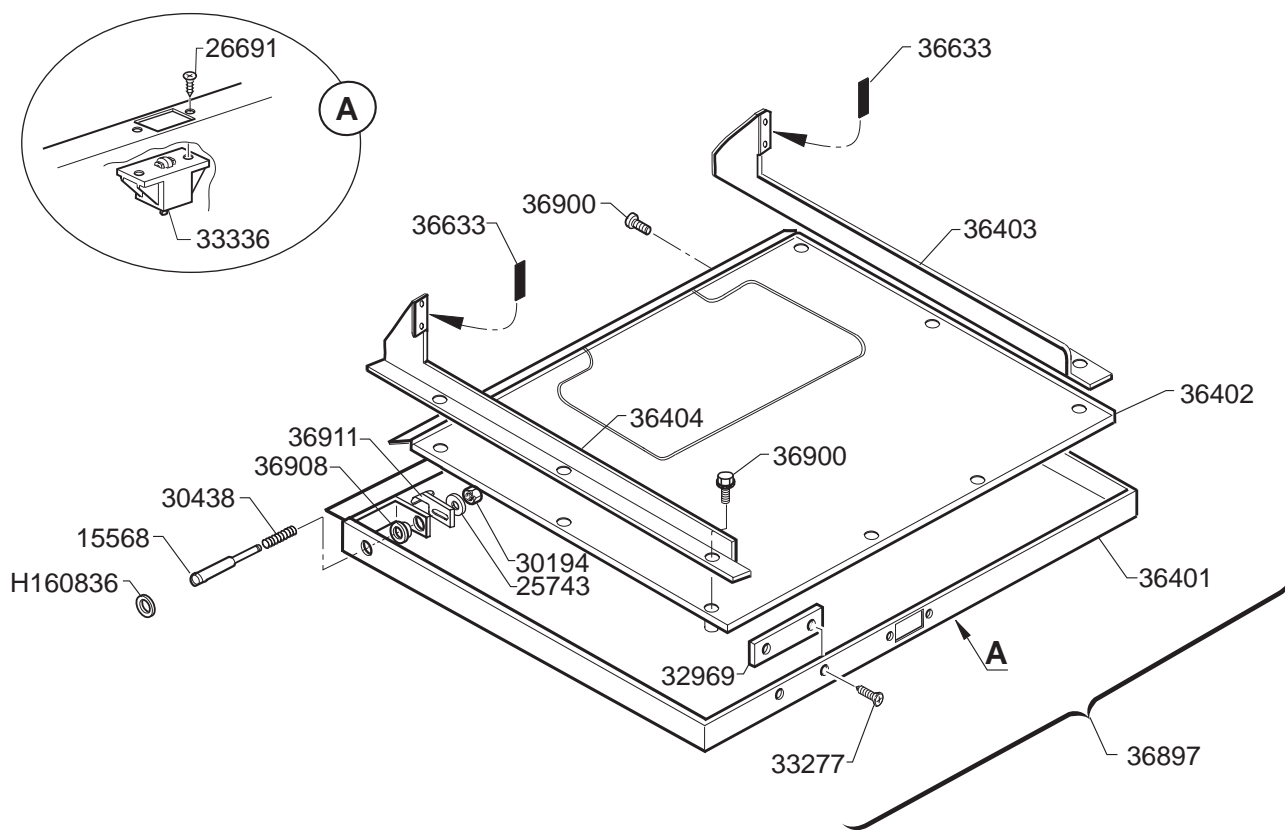
***BR2 Series***  
***UC450 Series***

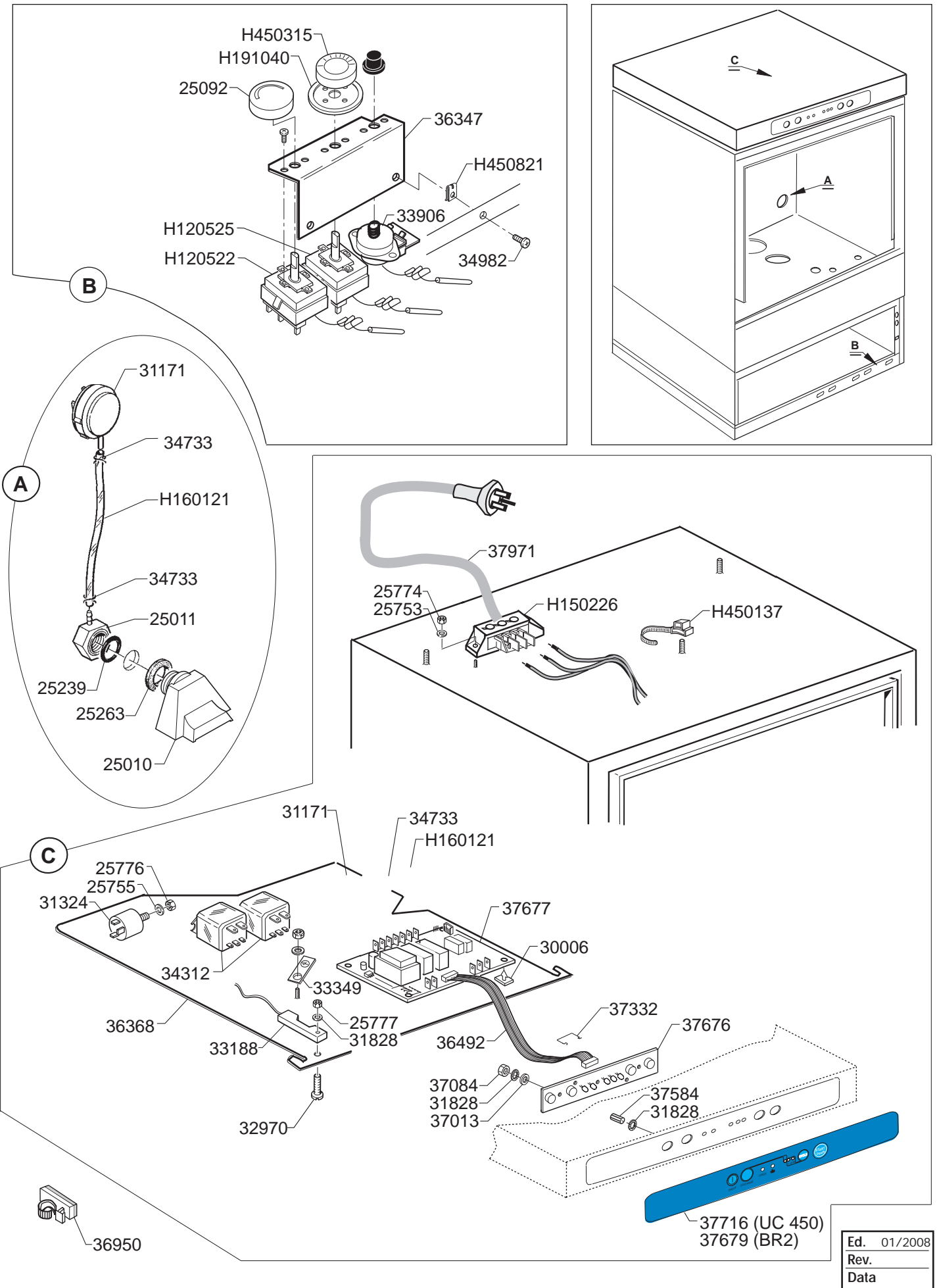
**Ed. 2009**

HOOD

**FIG. 1**  
BR2 Series  
UC450 Series



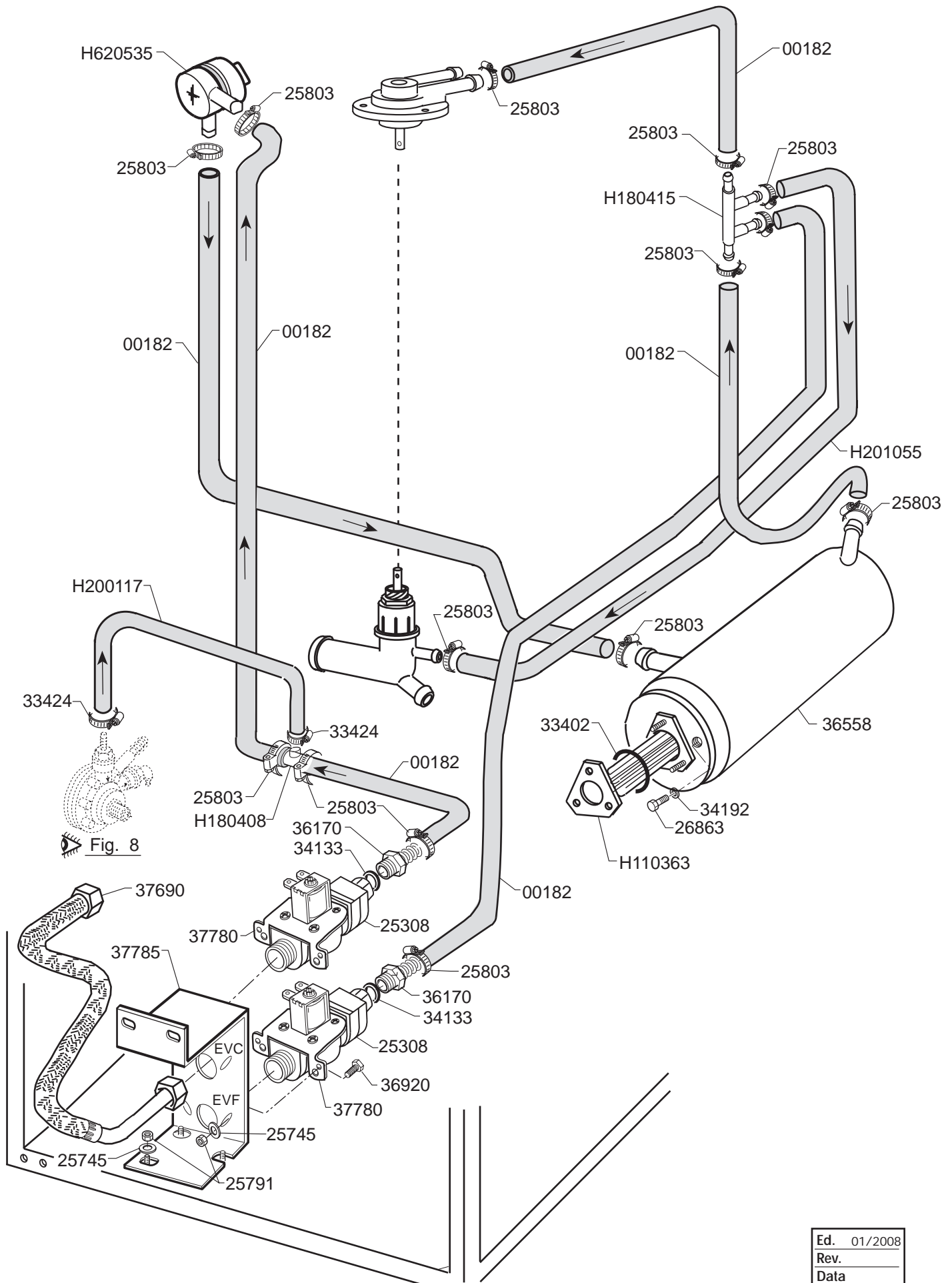




RINSE ASSEMBLY

**FIG. 4**

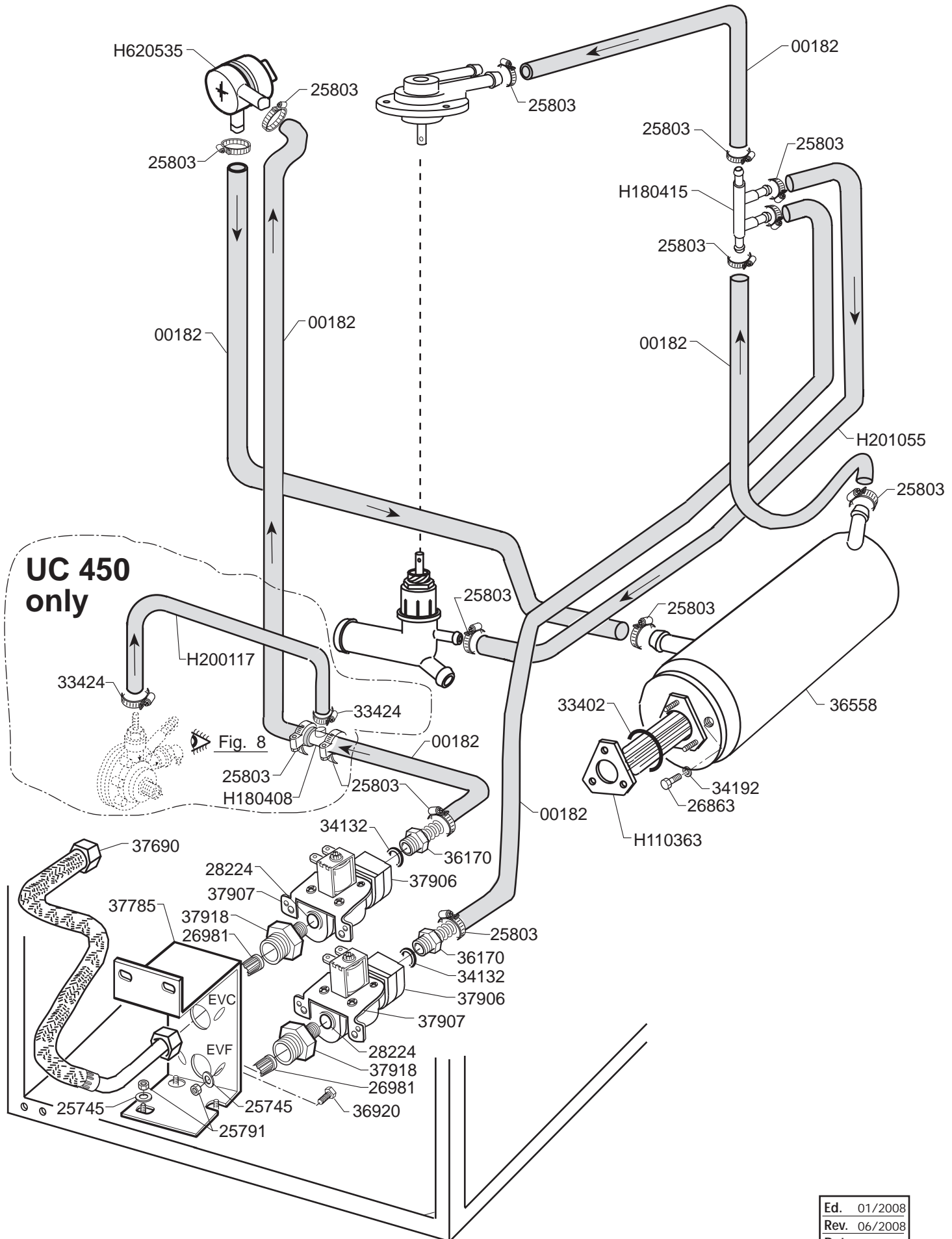
BR2 Series  
 UC450 Series



RINSE ASSEMBLY

**FIG. 4/A**

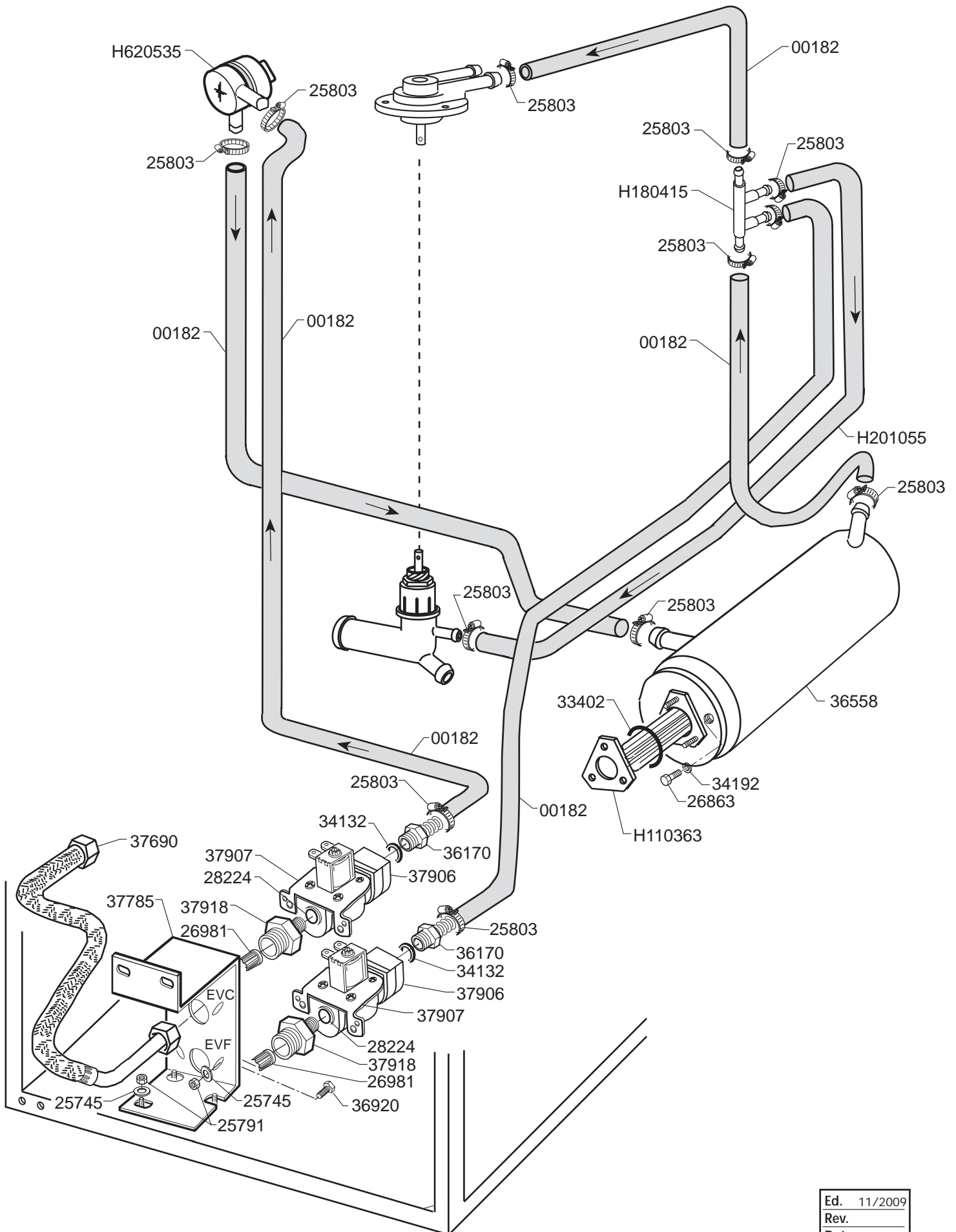
BR2 Series  
 UC450 Series



RINSE ASSEMBLY

FIG. 4/B

BR2 Series  
 UC450 Series



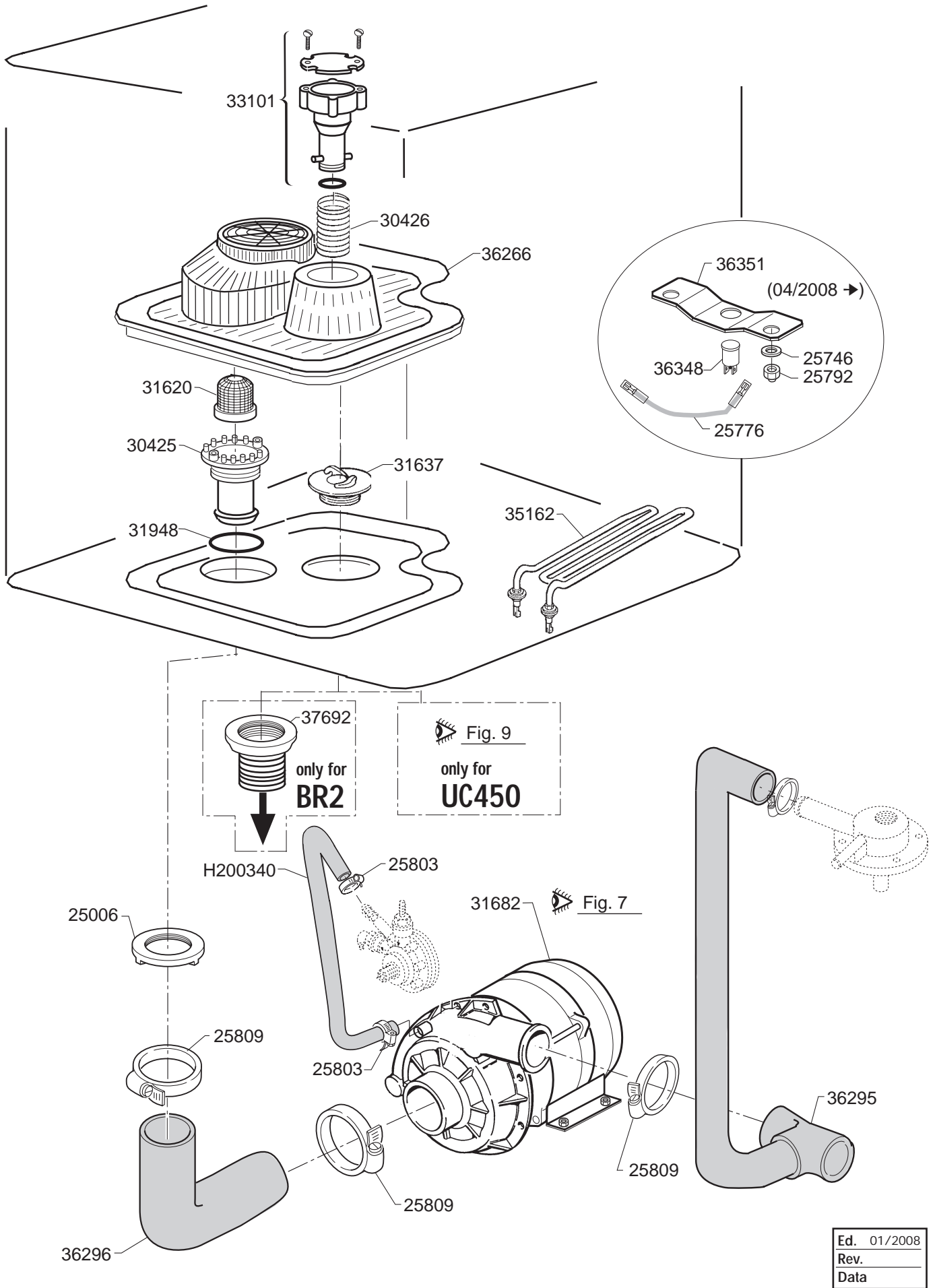
Ed.	11/2009
Rev.	
Data	



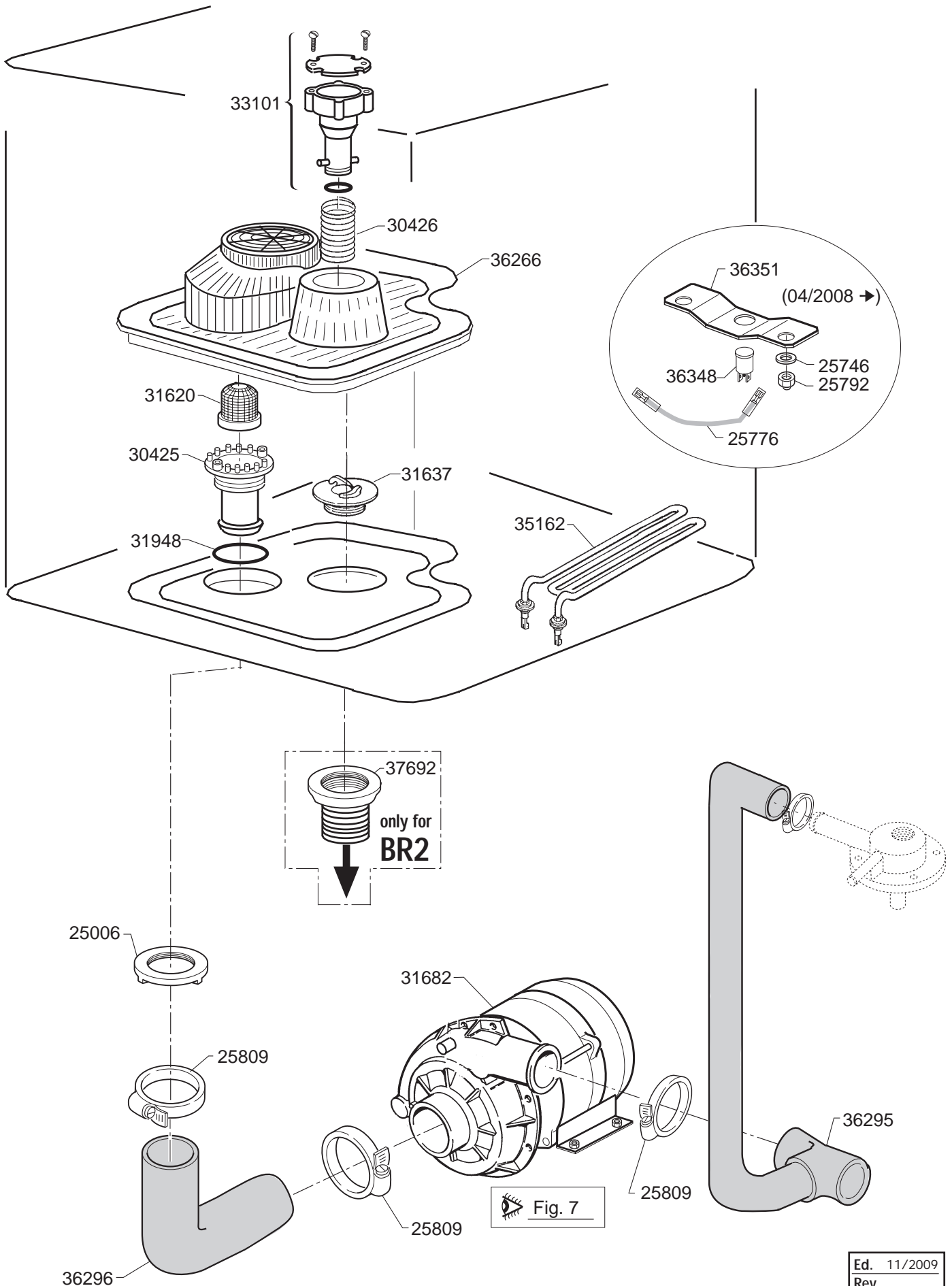
TANK

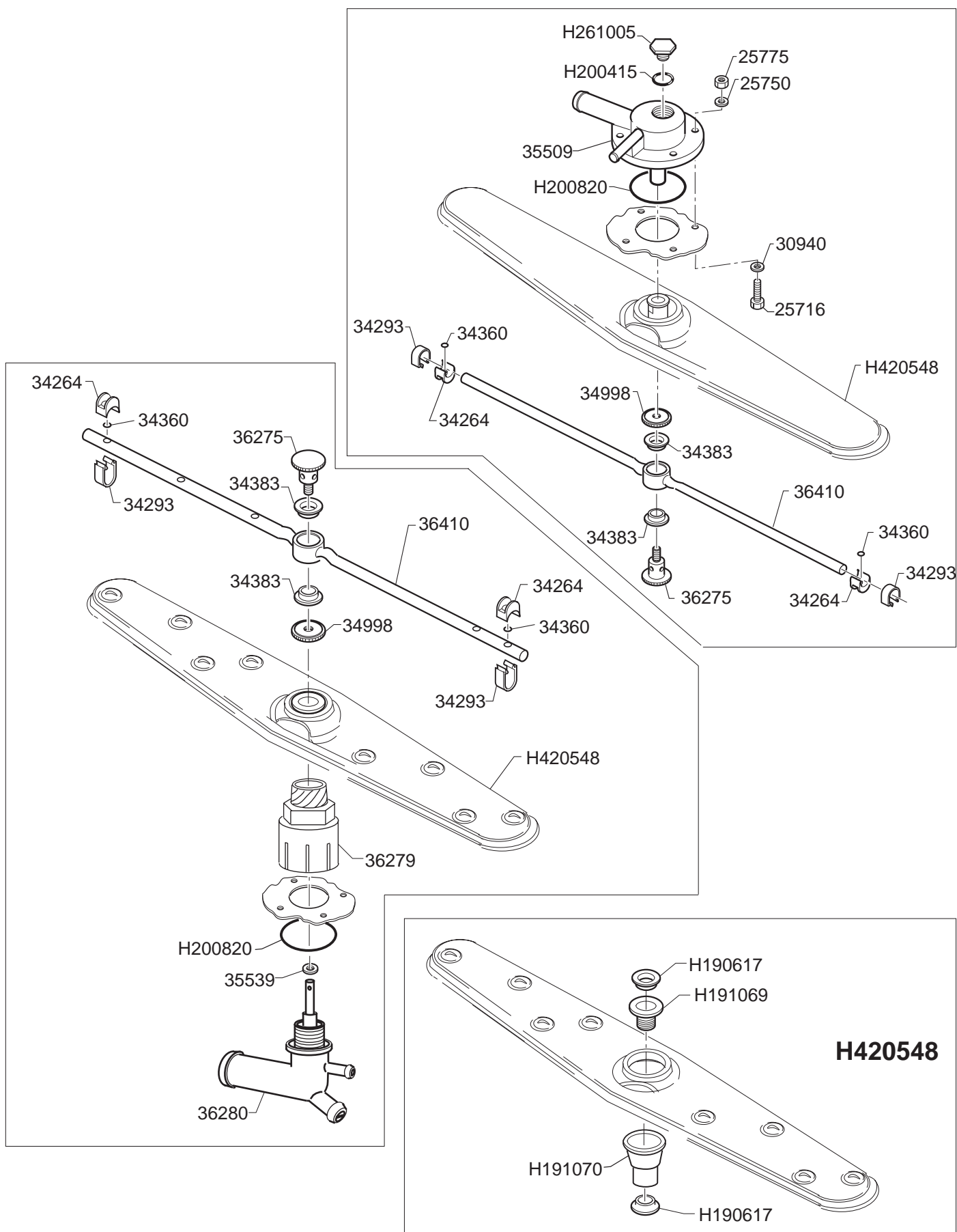
**FIG. 5**

BR2 Series  
 UC450 Series





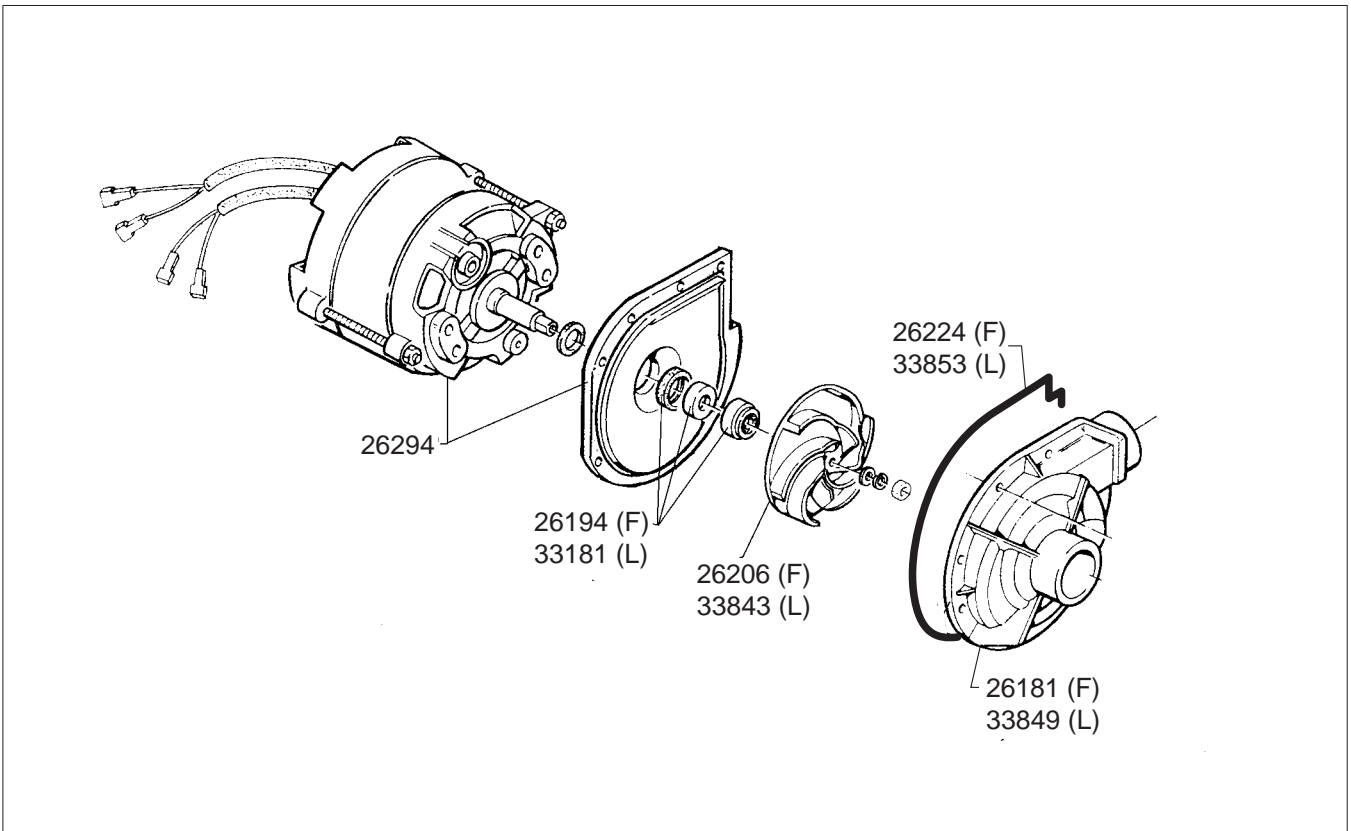
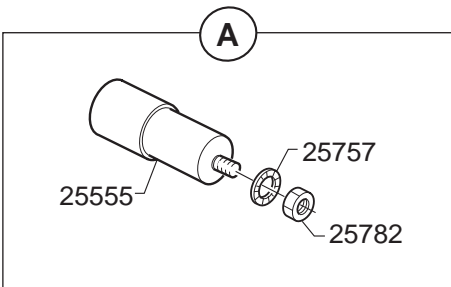
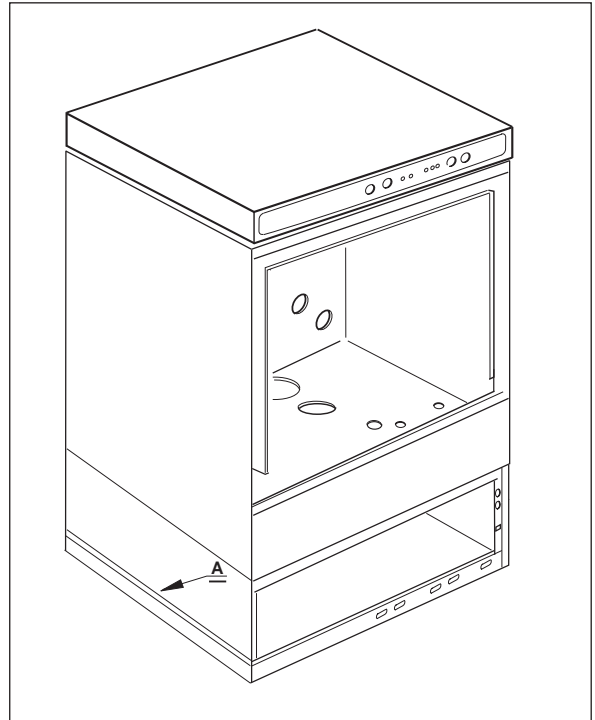
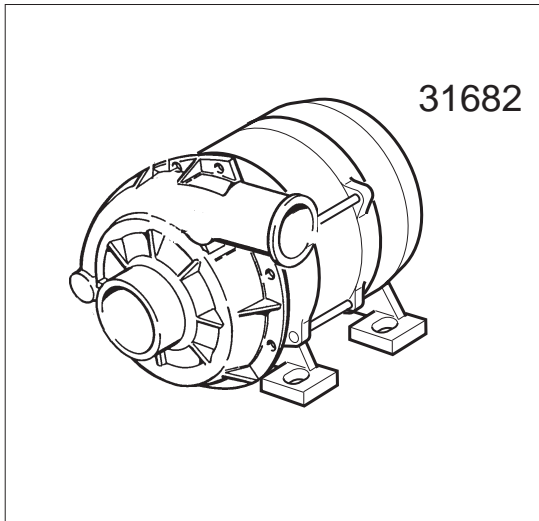




WASH PUMP

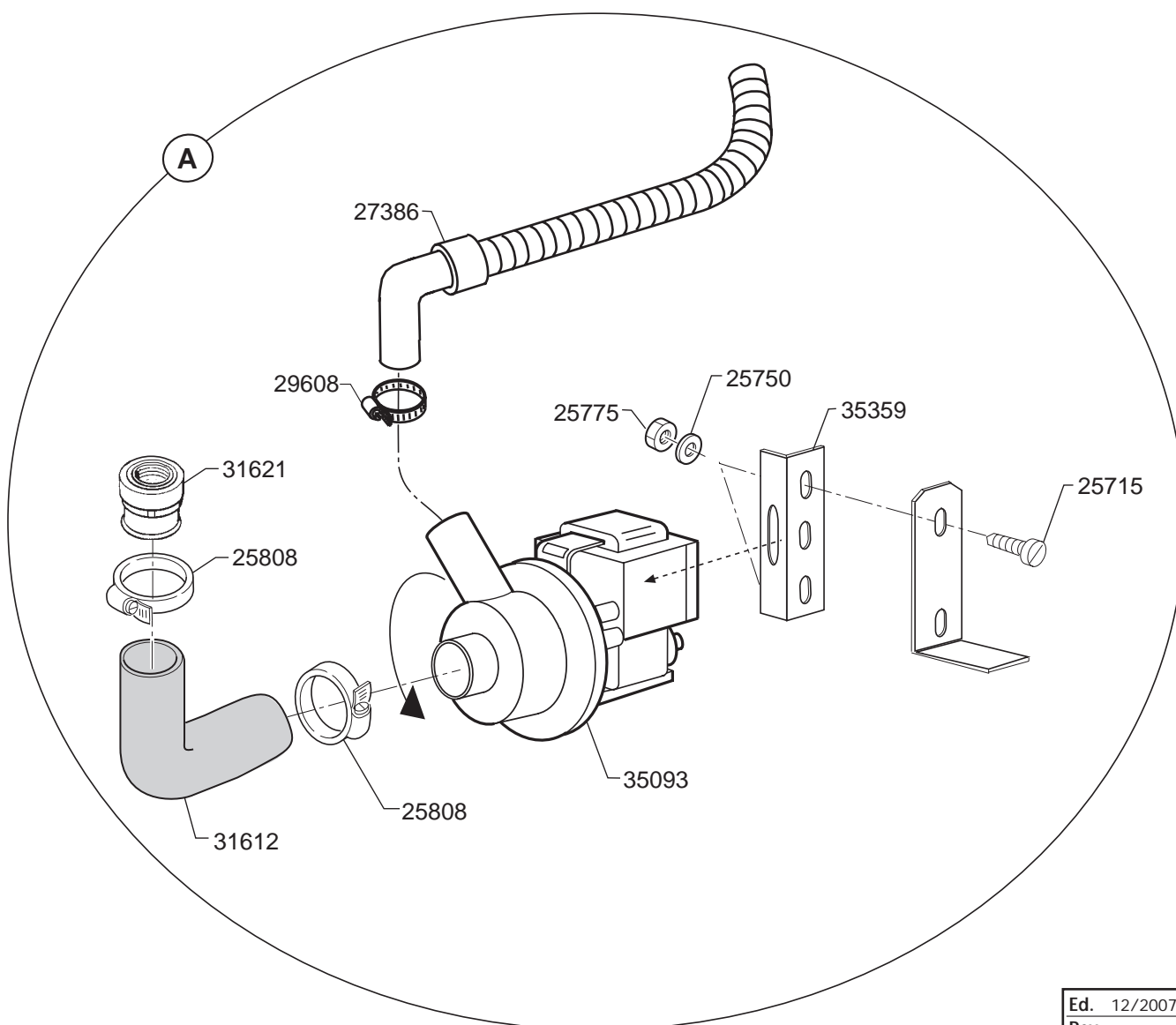
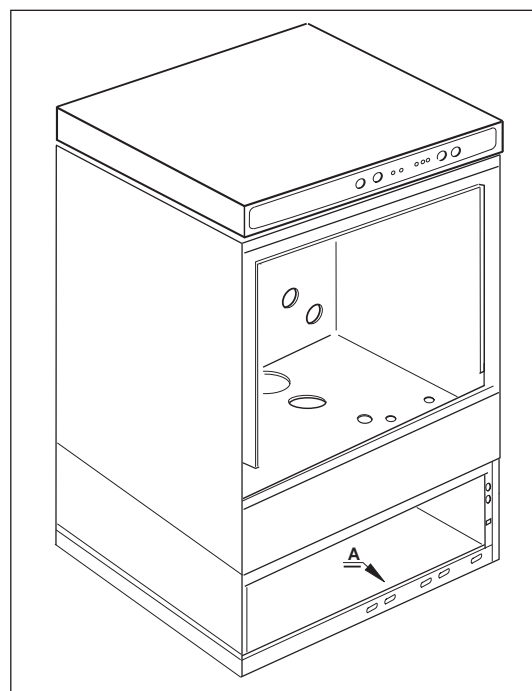
FIG. 7

BR2 Series  
UC450 Series



DRAIN PUMP

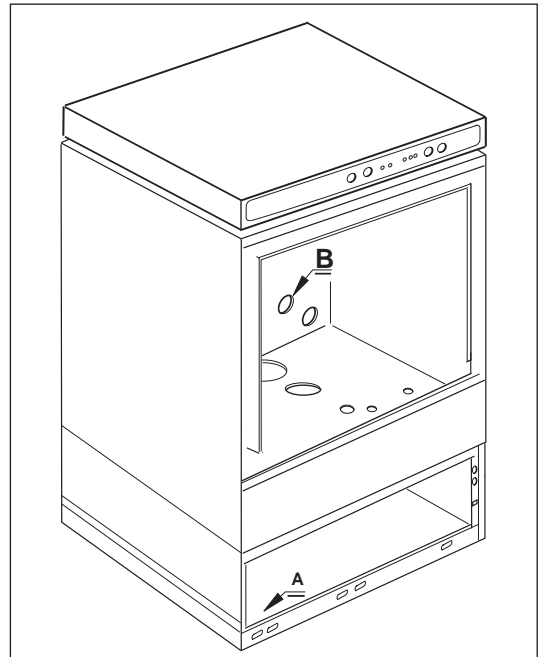
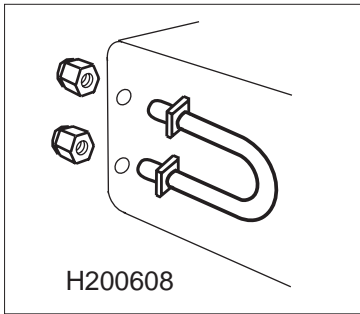
**FIG. 8**  
**UC450**



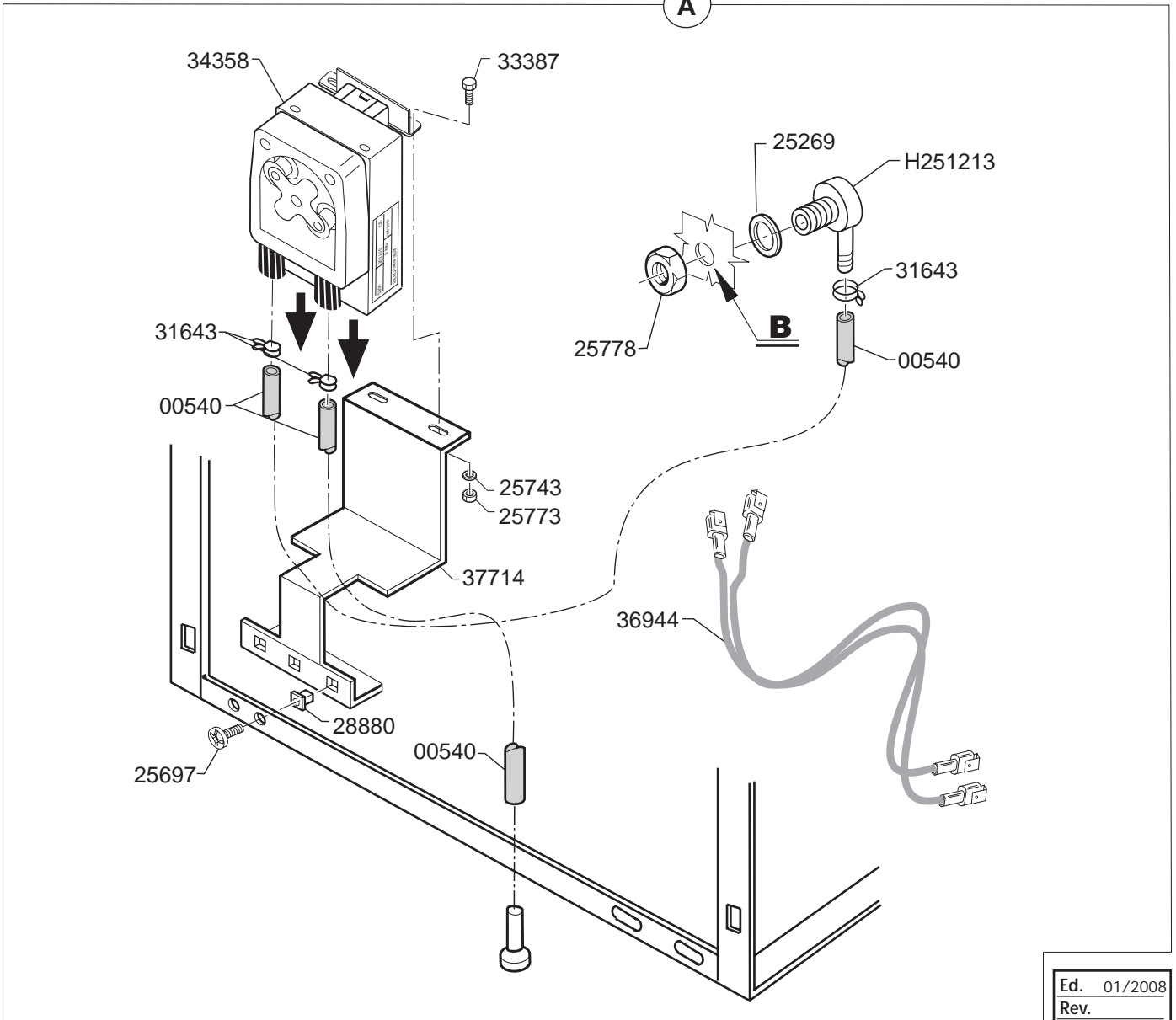
DETERGENT PUMP

FIG. 9

BR2 Series  
 UC450 Series



A



Ed. 01/2008  
 Rev.  
 Data

