

SPARE PARTS

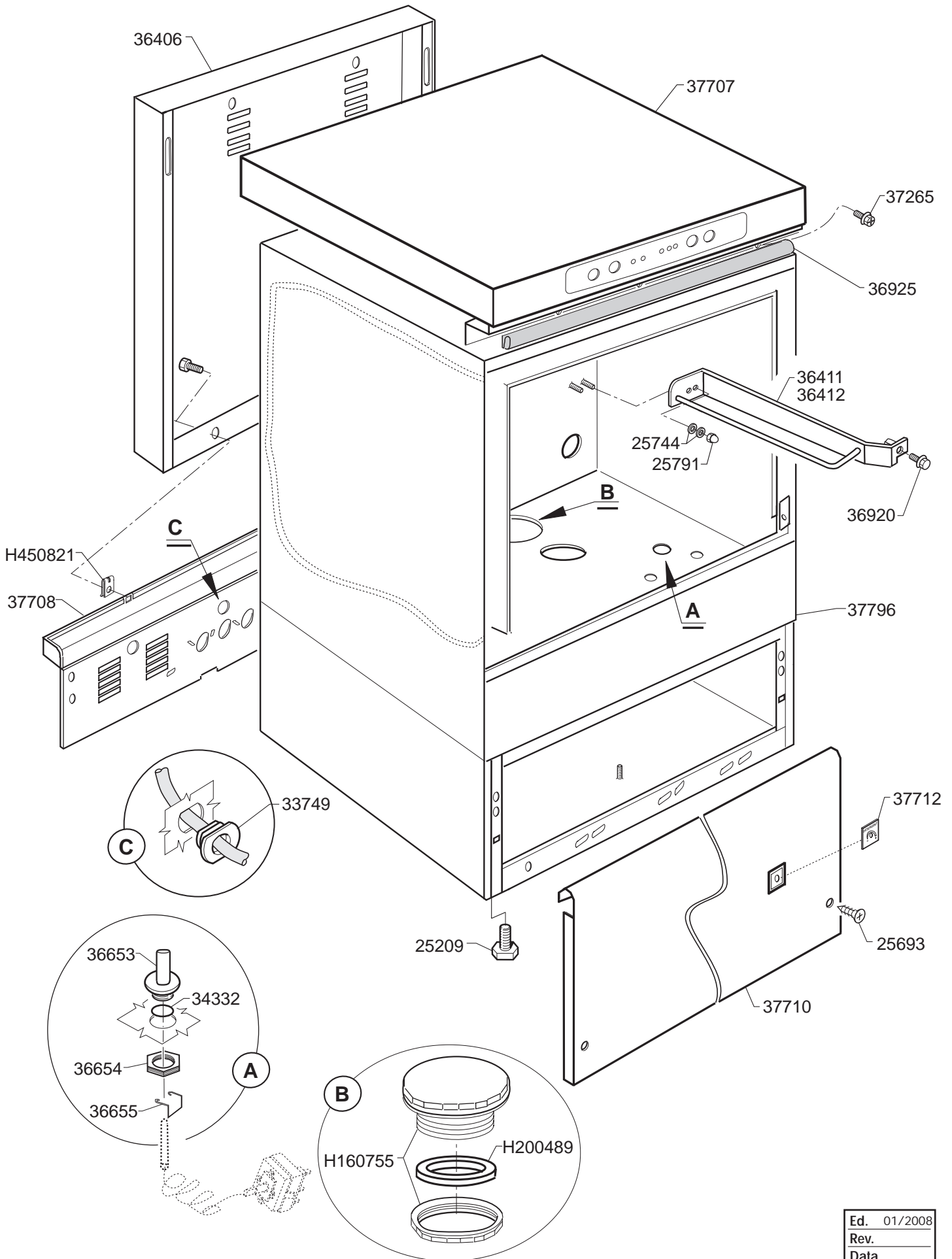


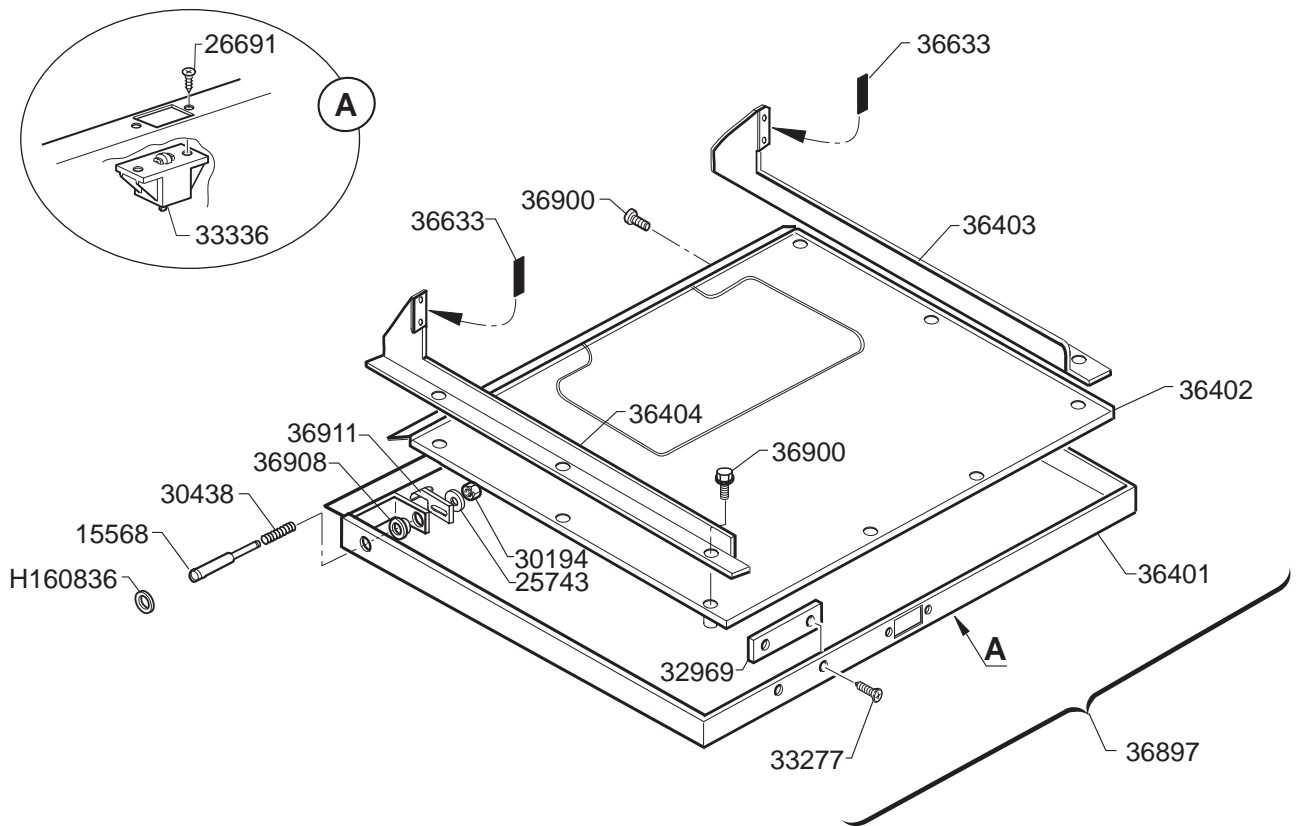
BR2 Series
UC450 Series

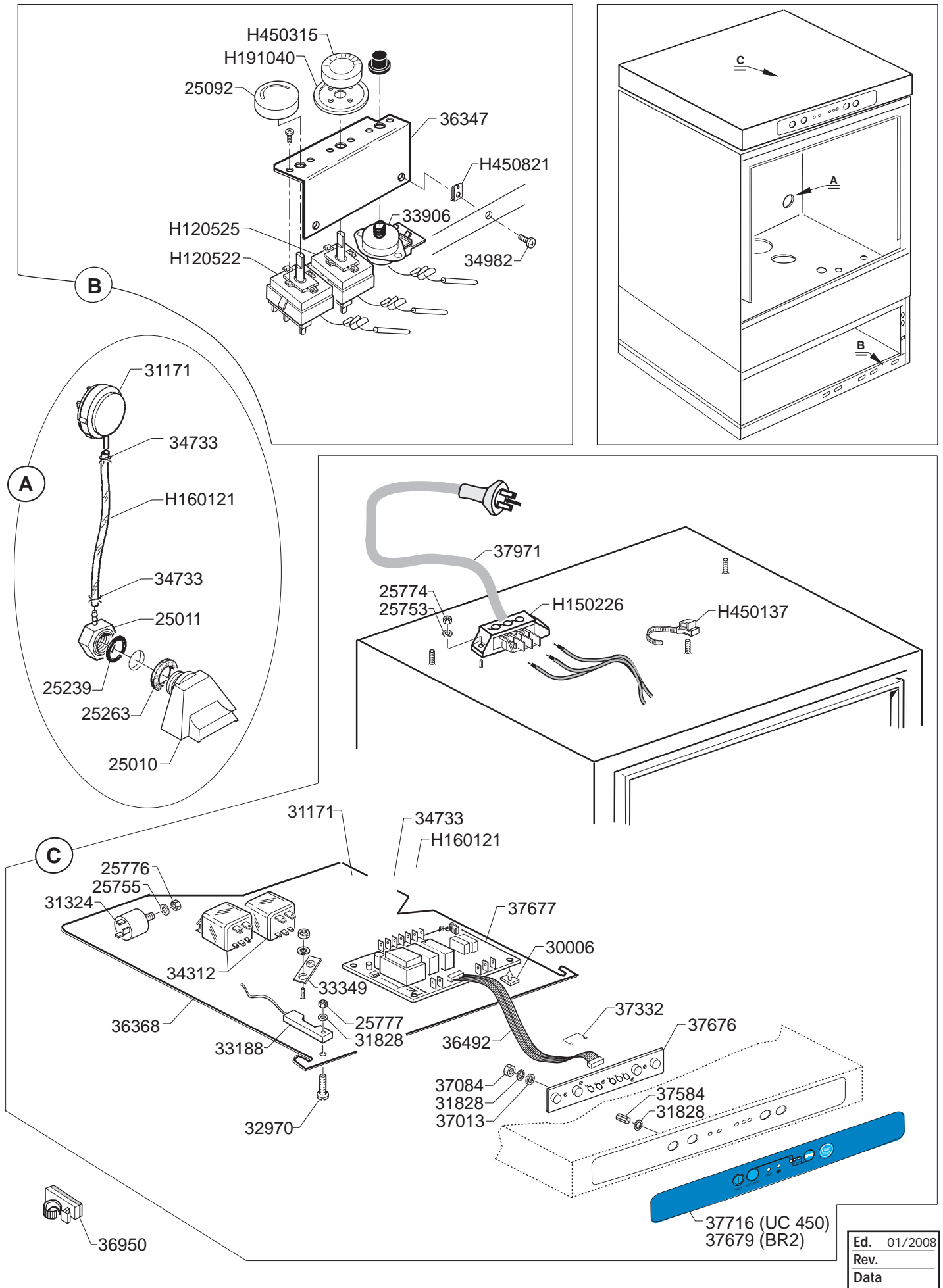
Ed. 2009

HOOD

FIG. 1
BR2 Series
UC450 Series



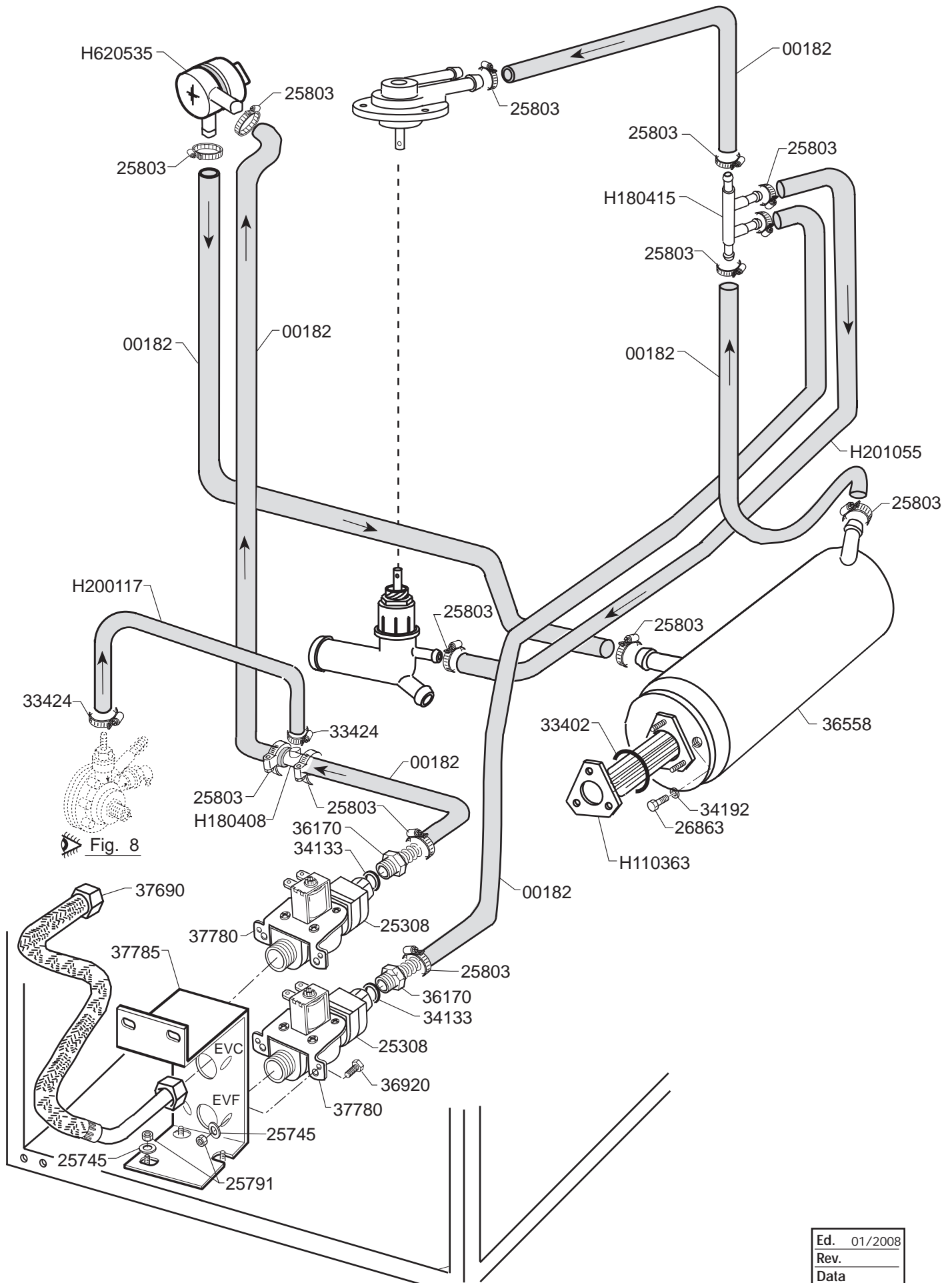




RINSE ASSEMBLY

FIG. 4

BR2 Series
 UC450 Series

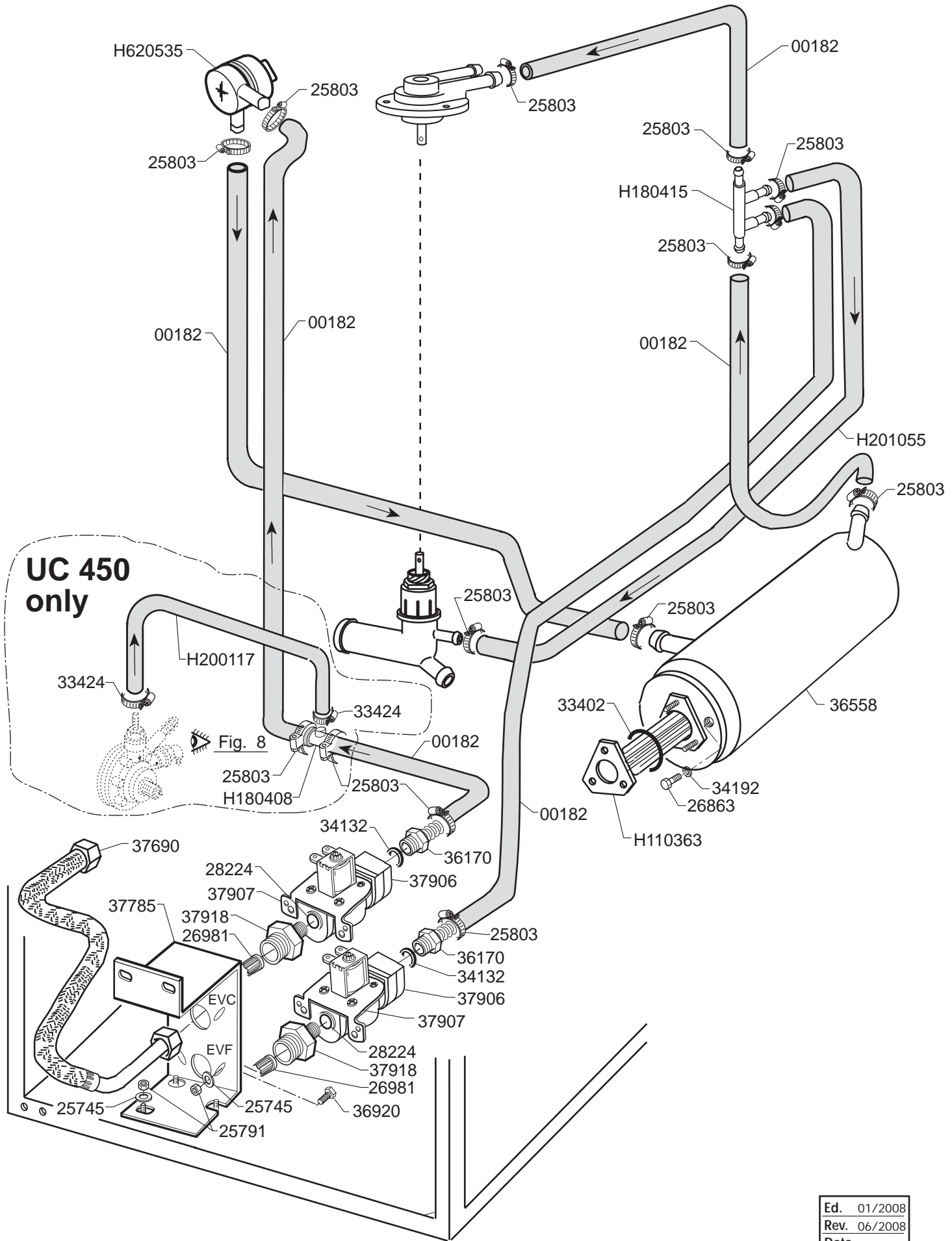


Ed.	01/2008
Rev.	
Data	

RINSE ASSEMBLY

FIG. 4/A

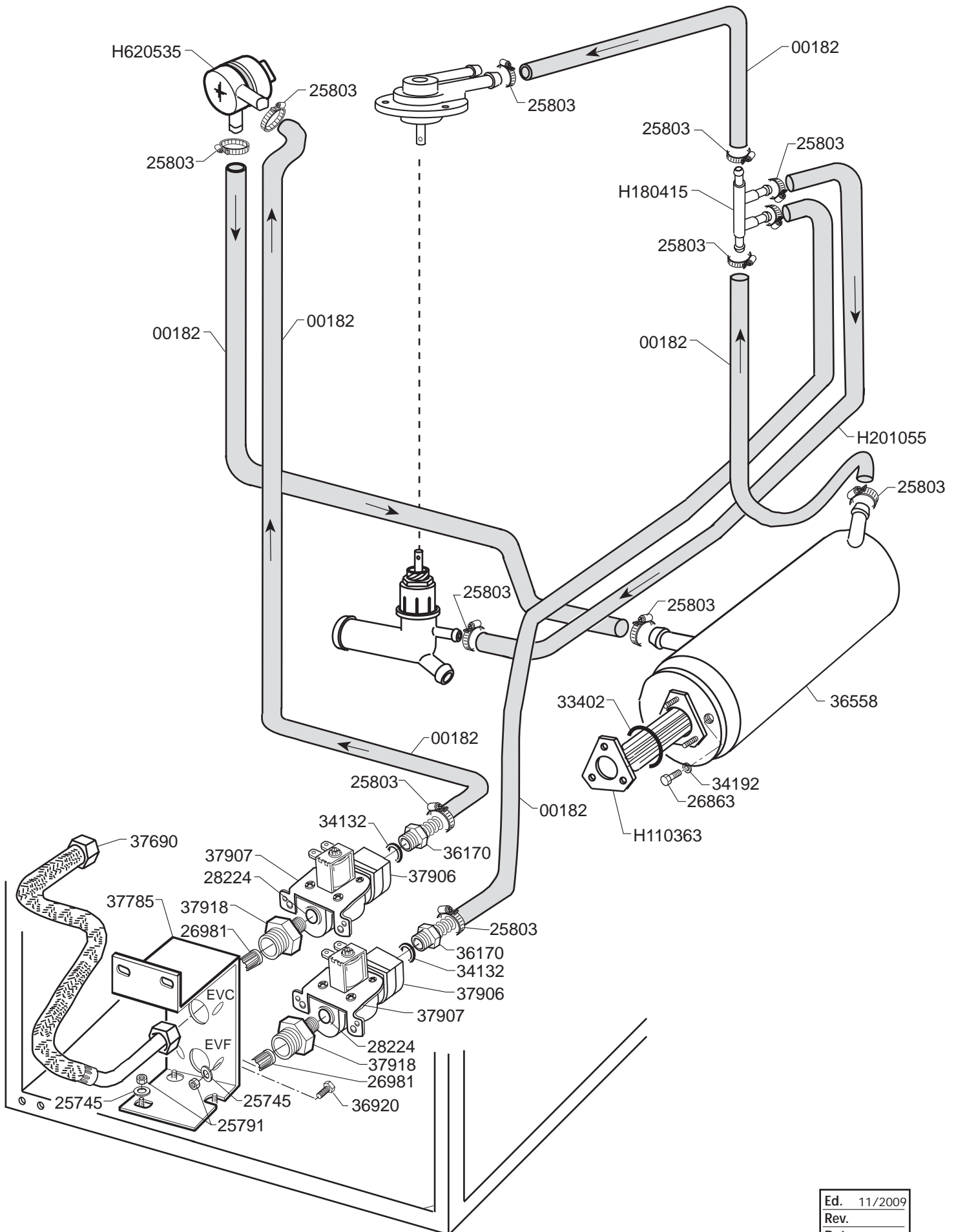
BR2 Series
 UC450 Series



RINSE ASSEMBLY

FIG. 4/B

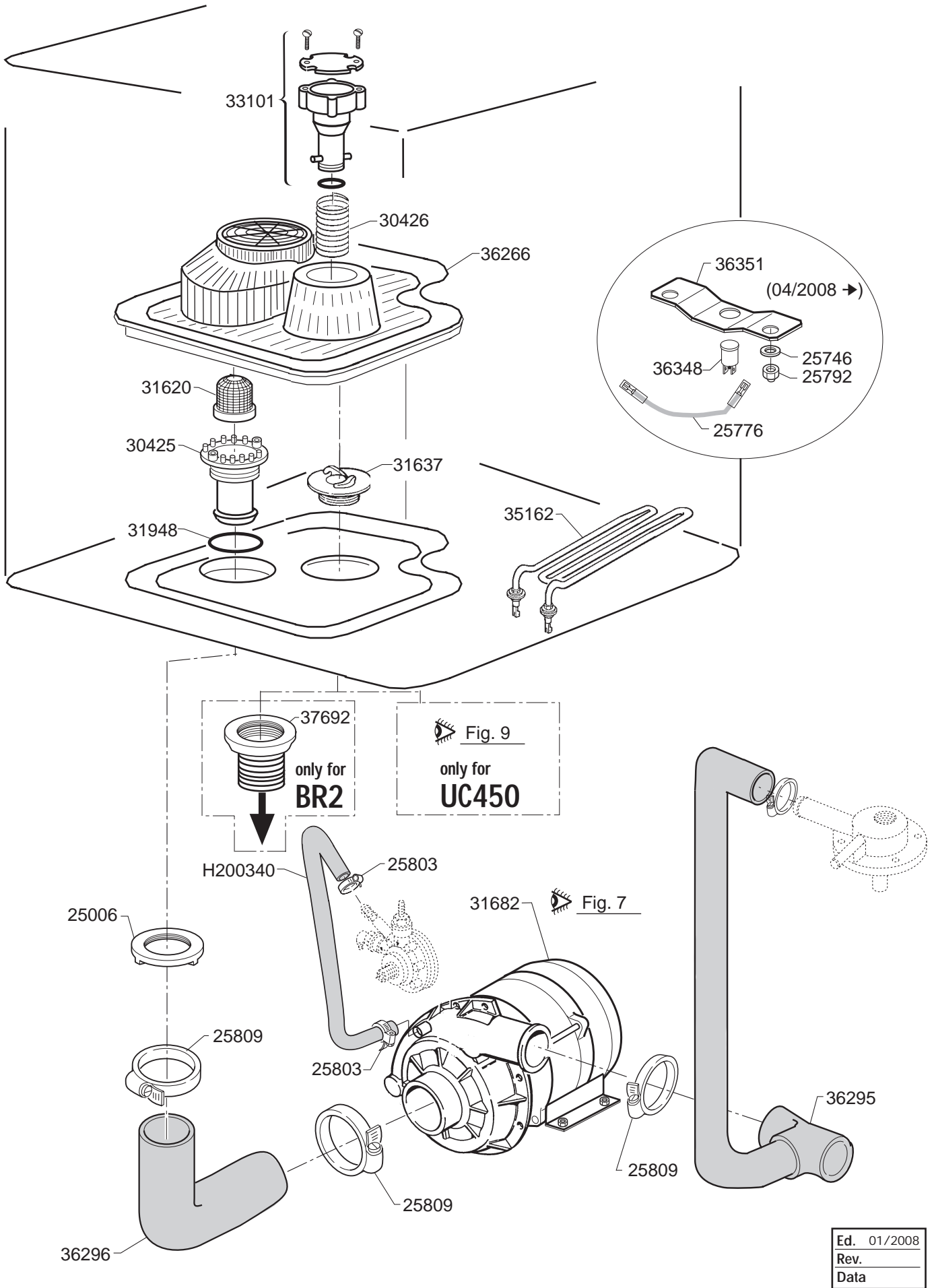
BR2 Series
 UC450 Series

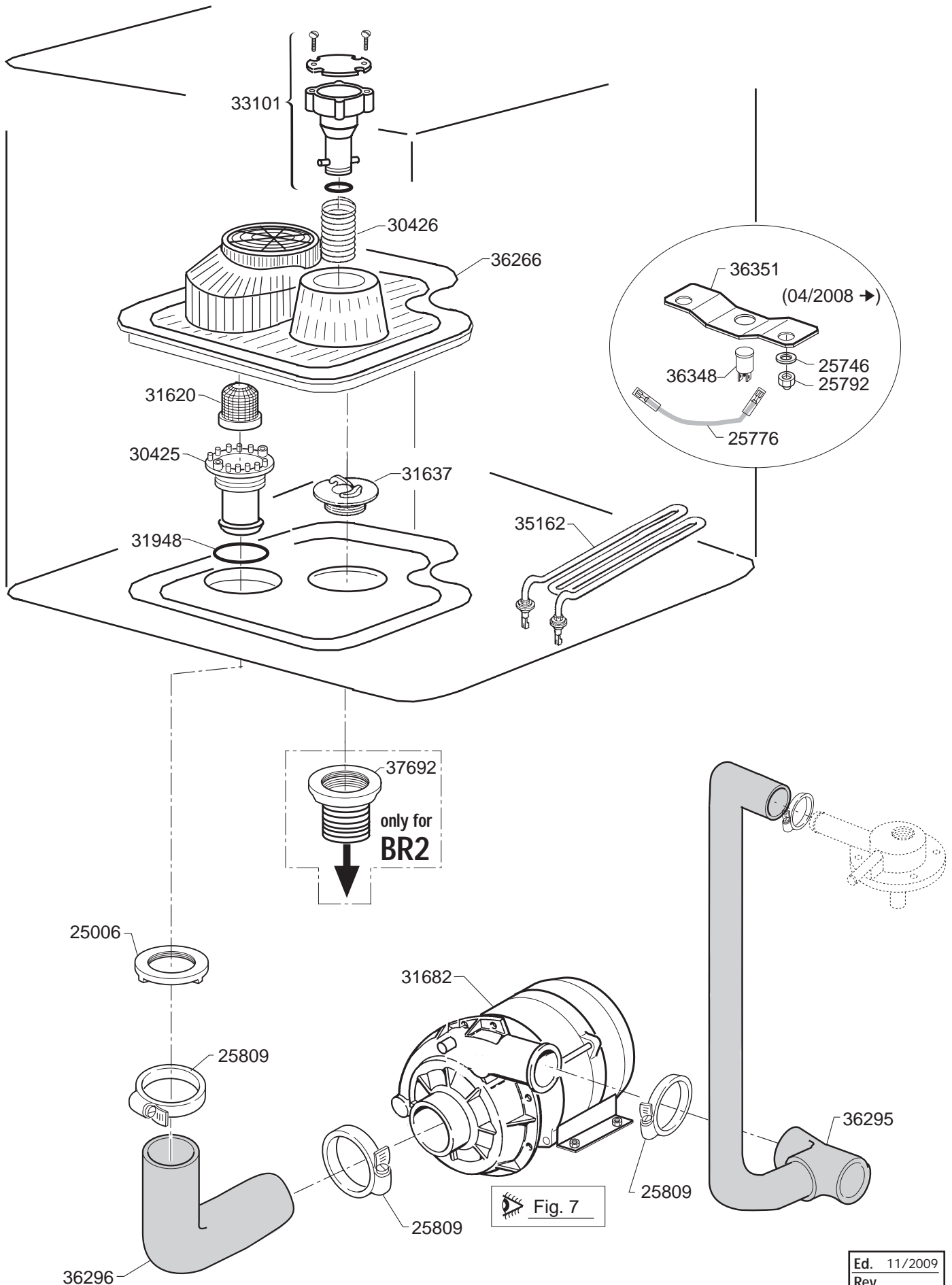


TANK

FIG. 5

BR2 Series
 UC450 Series

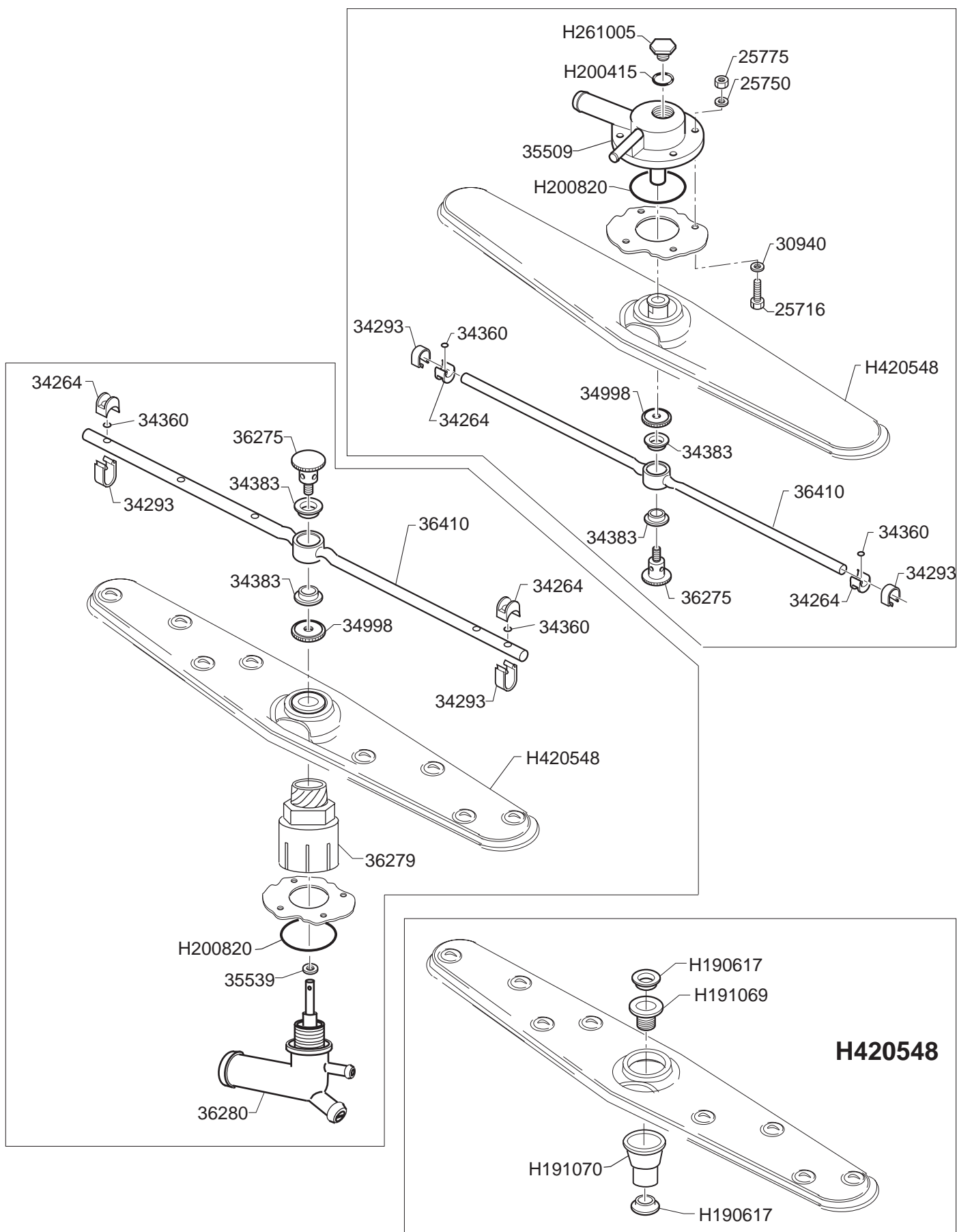




ARM

FIG. 6

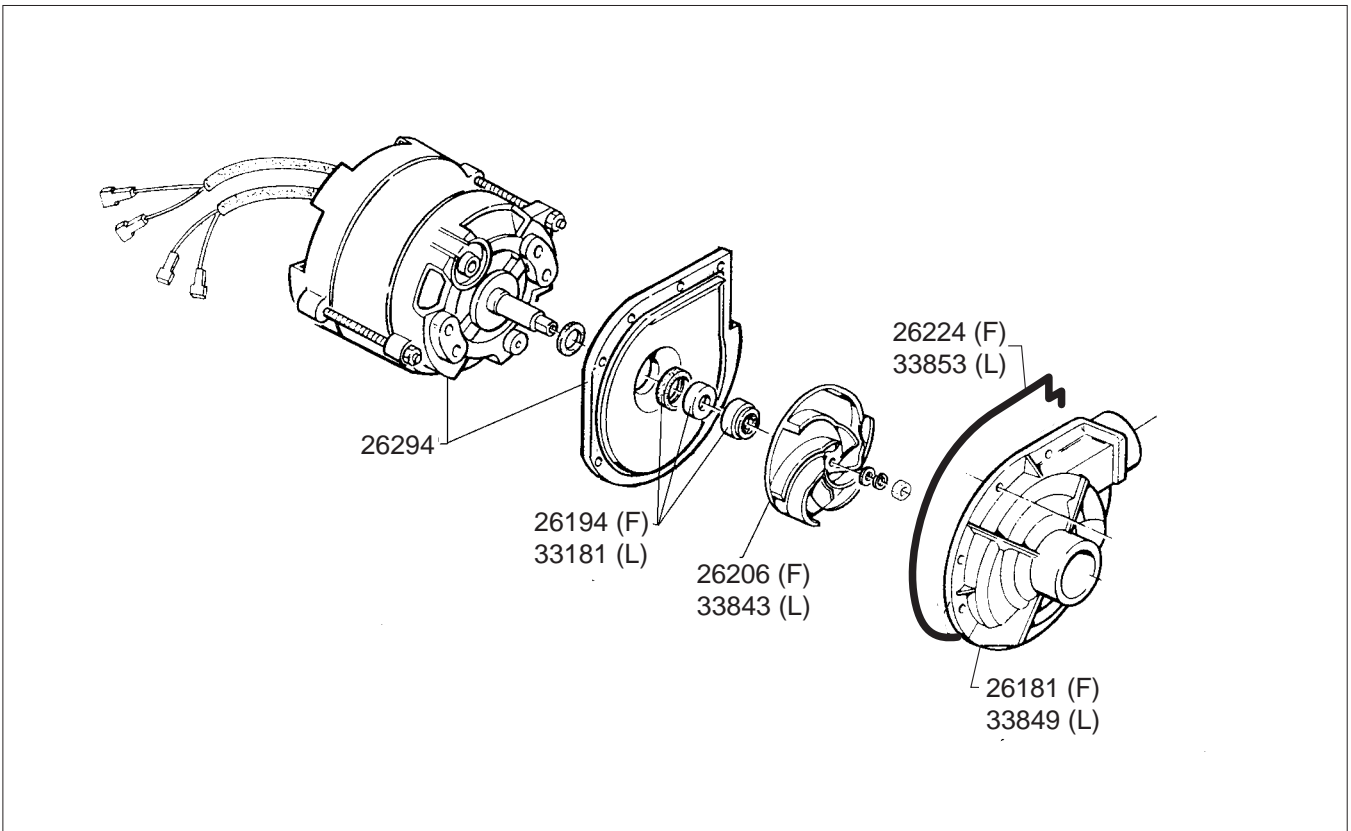
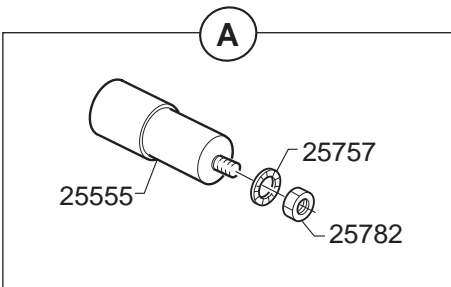
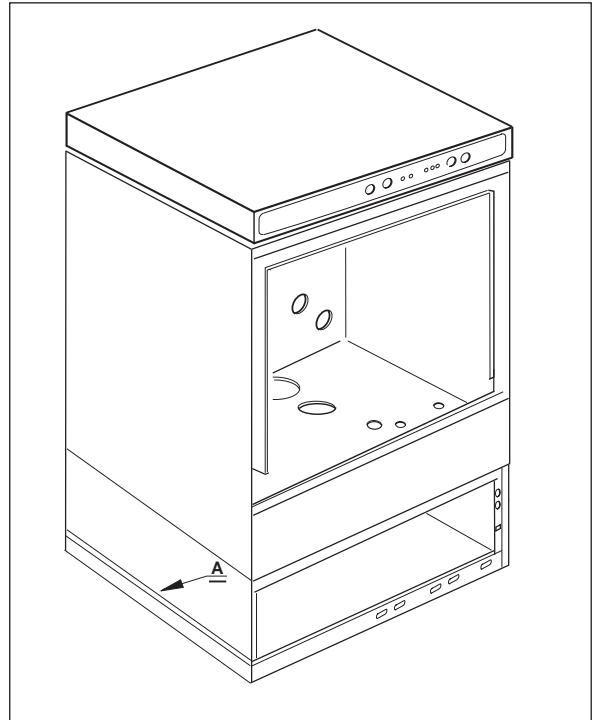
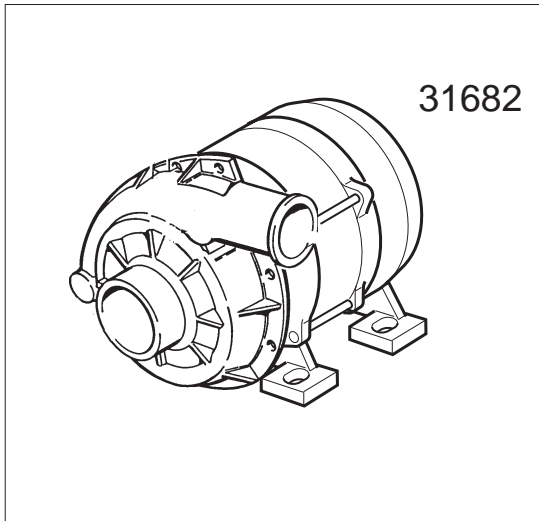
BR2 Series
 UC450 Series



WASH PUMP

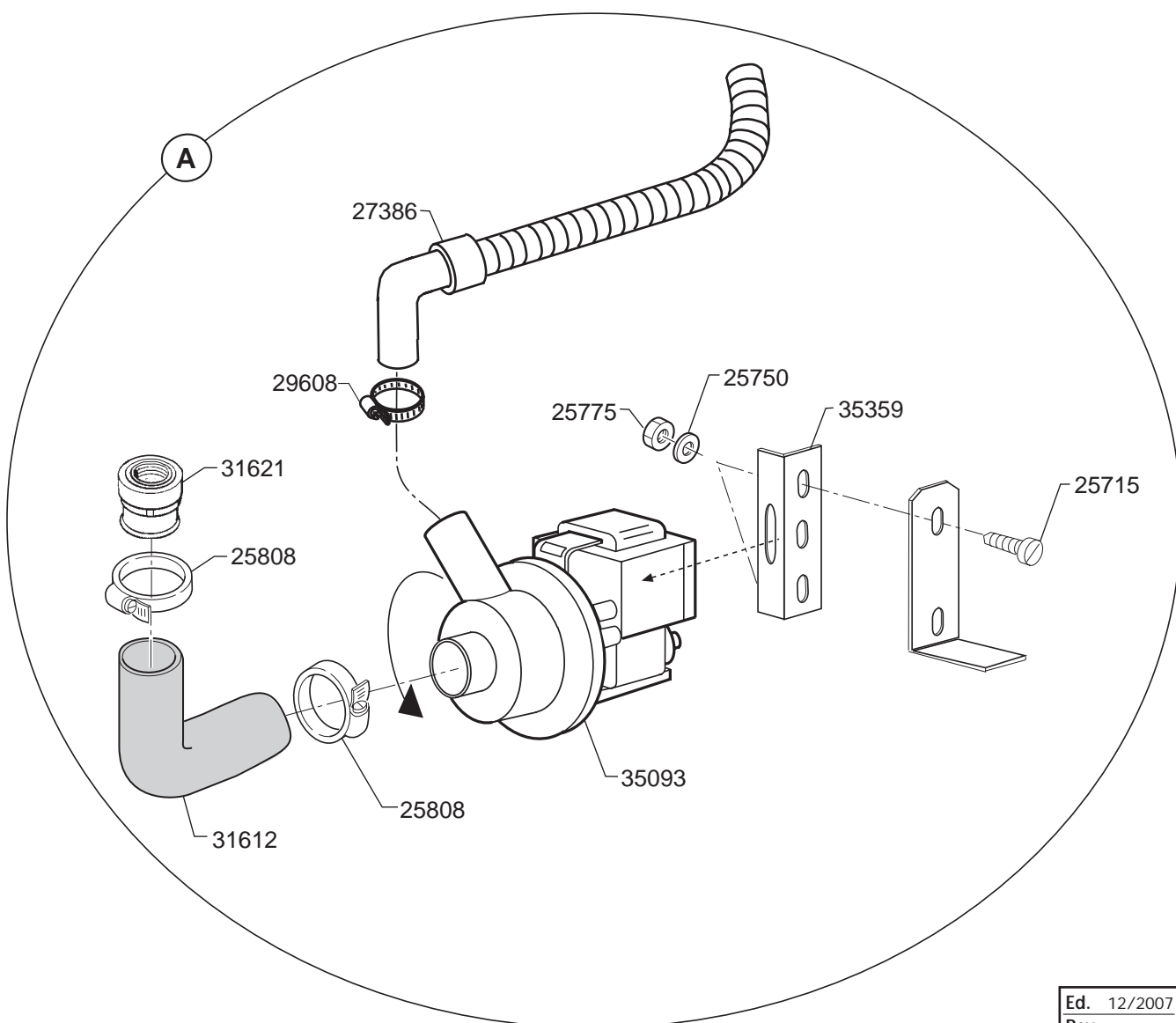
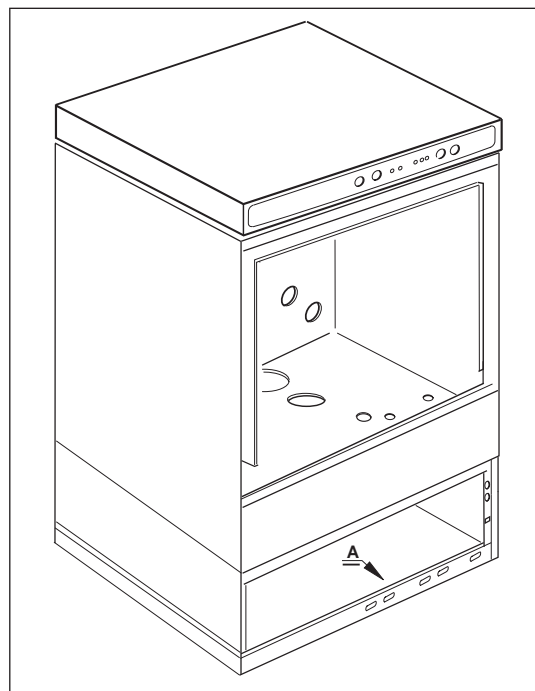
FIG. 7

BR2 Series
UC450 Series



DRAIN PUMP

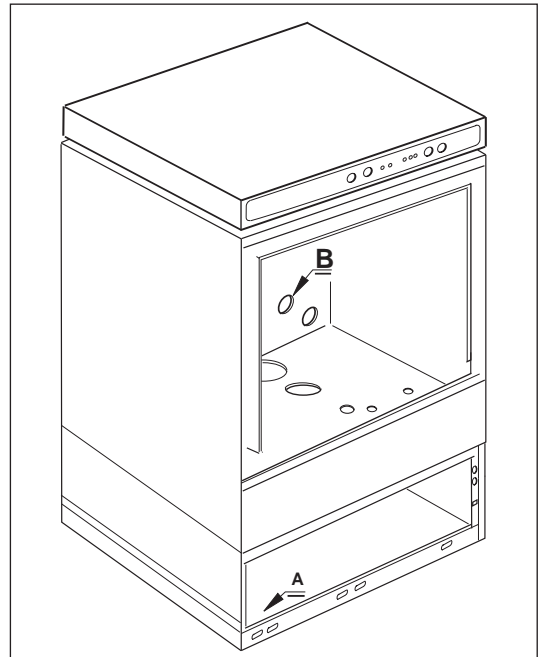
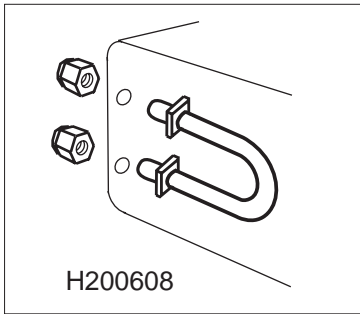
FIG. 8
UC450



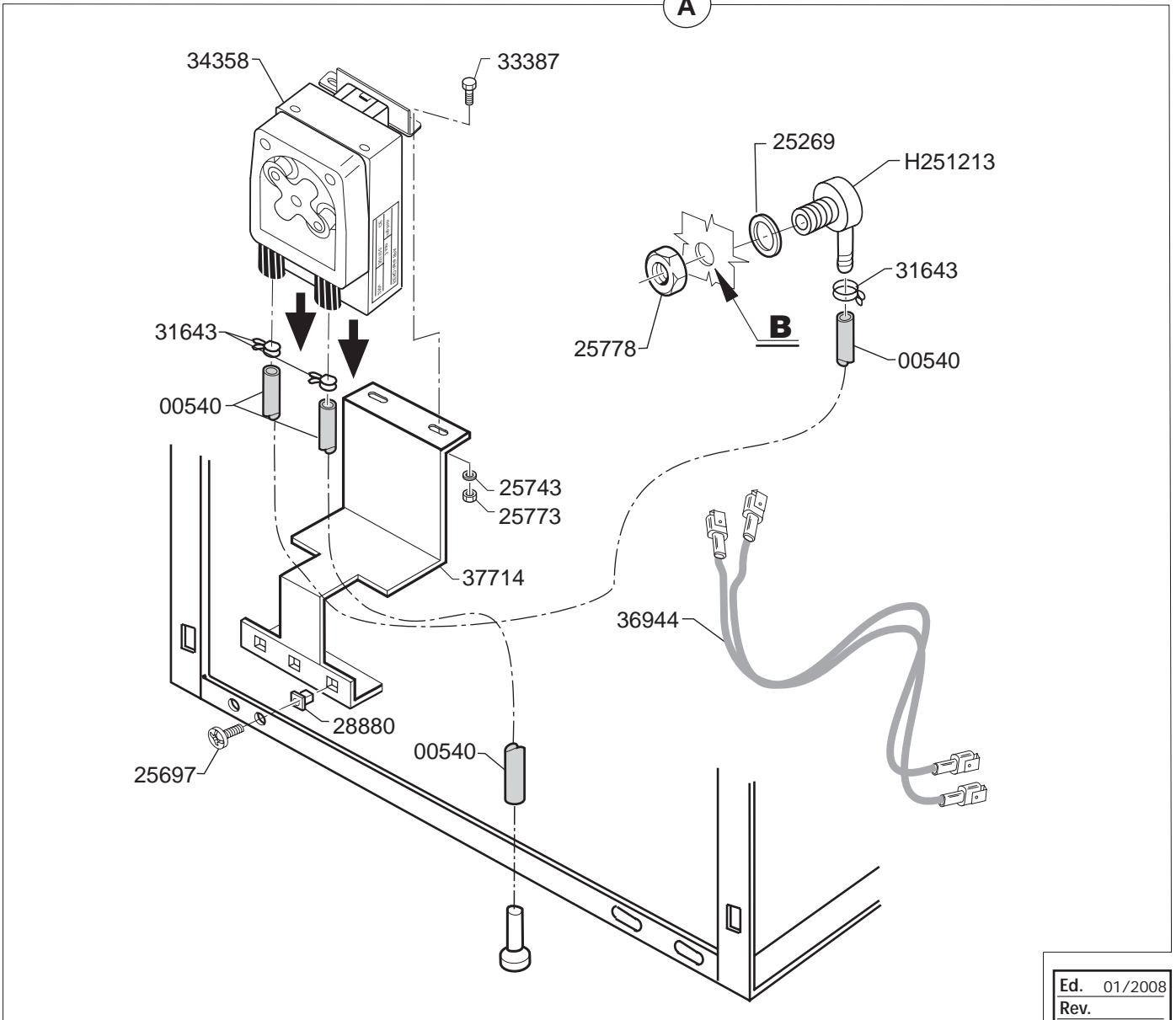
DETERGENT PUMP

FIG. 9

BR2 Series
 UC450 Series



A



Ed. 01/2008
 Rev.
 Data

