

SPARE PARTS



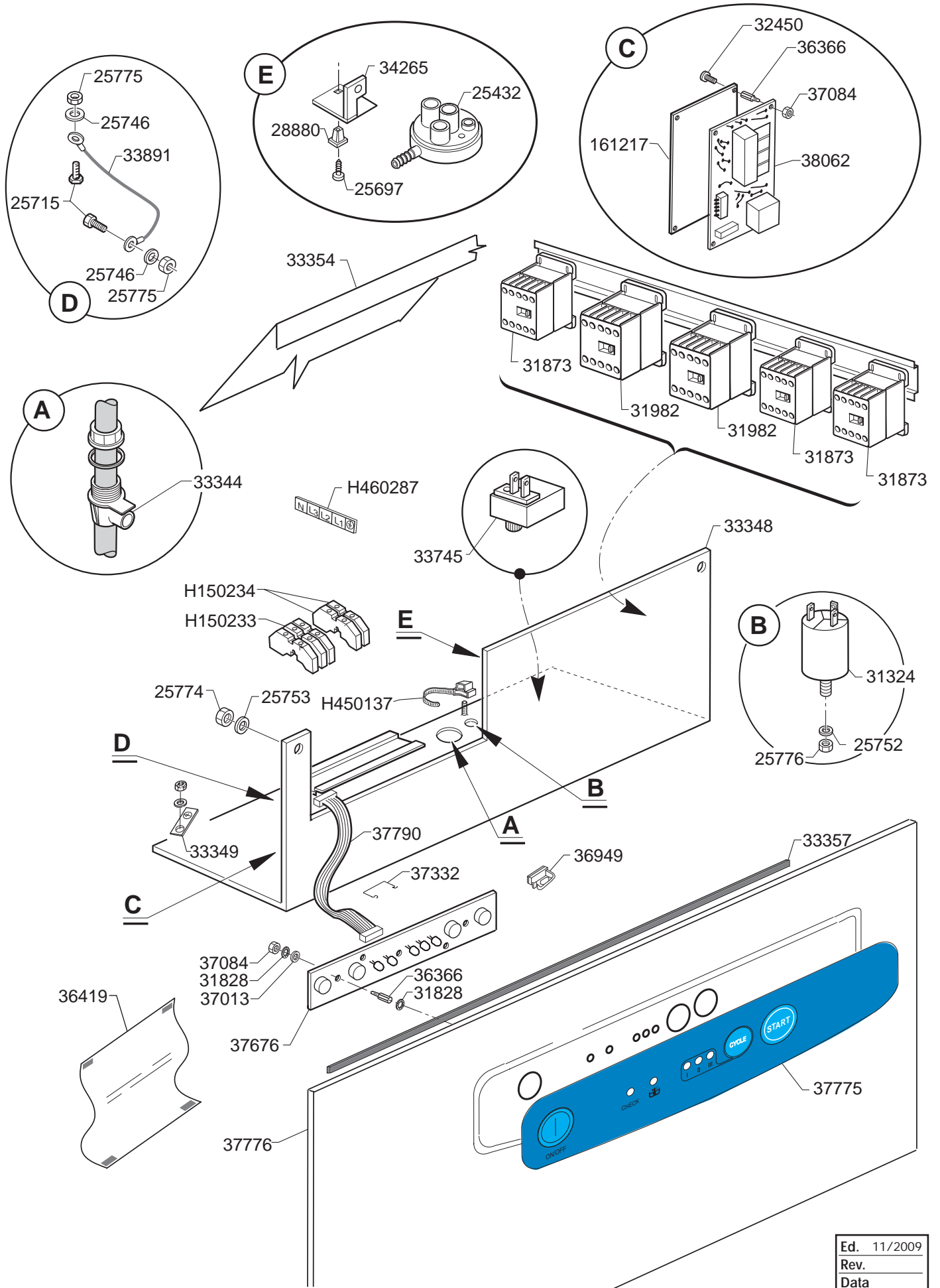
PT Series

Ed. 2009

CONTROL BOX

FIG. 2

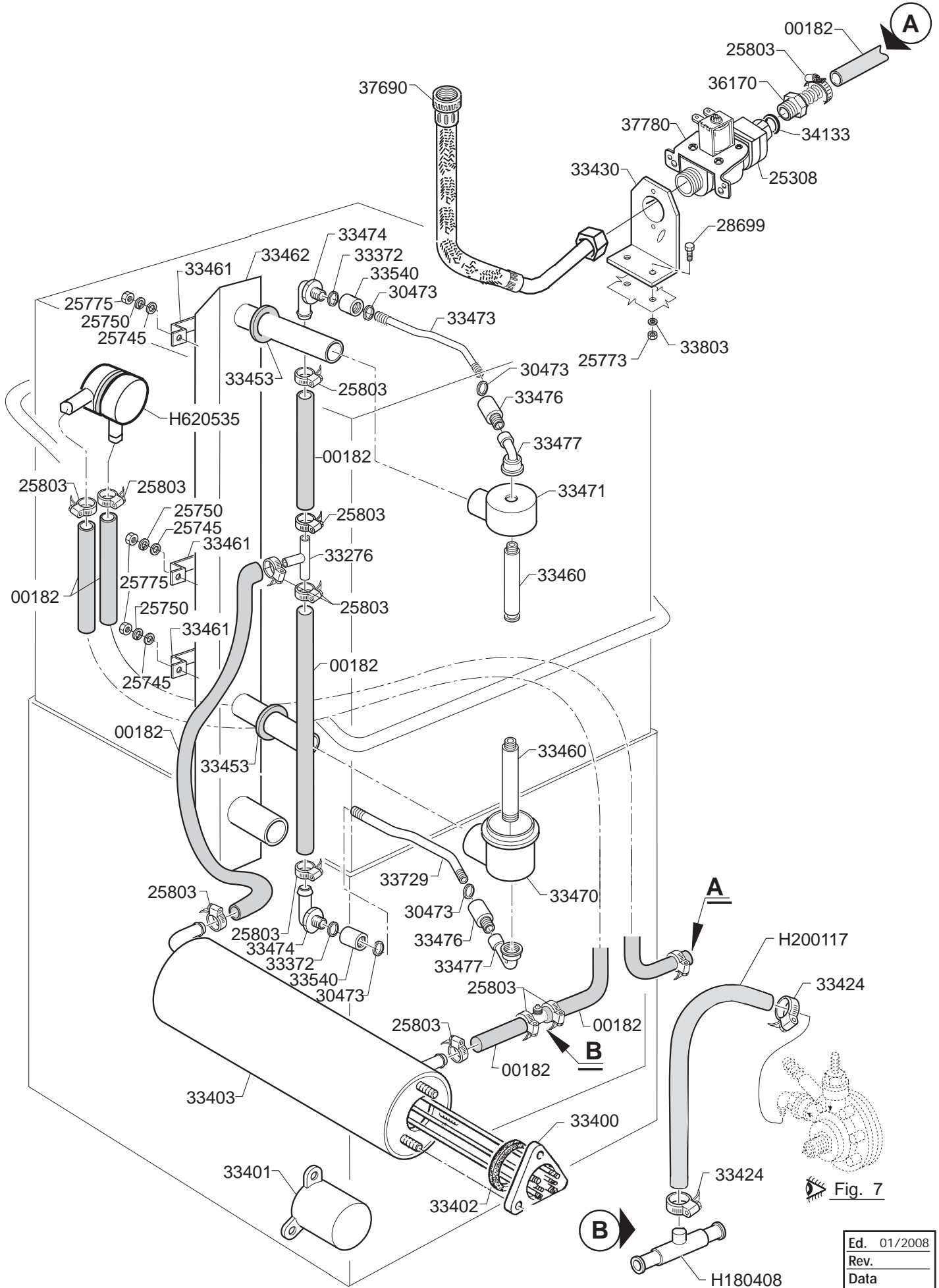
PT series



RINSE ASSEMBLY

FIG. 3

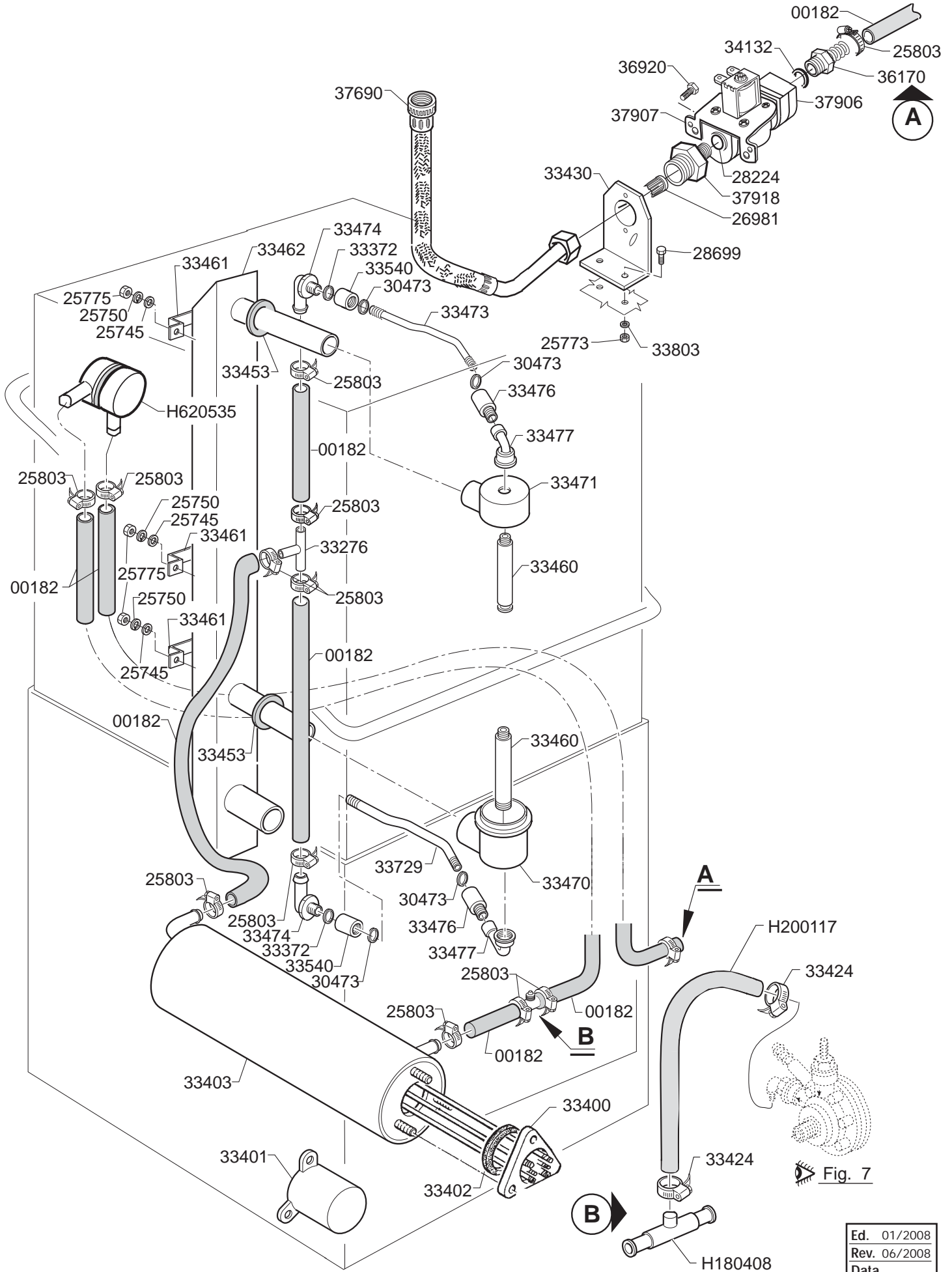
PT series



RINSE ASSEMBLY

FIG. 3/A

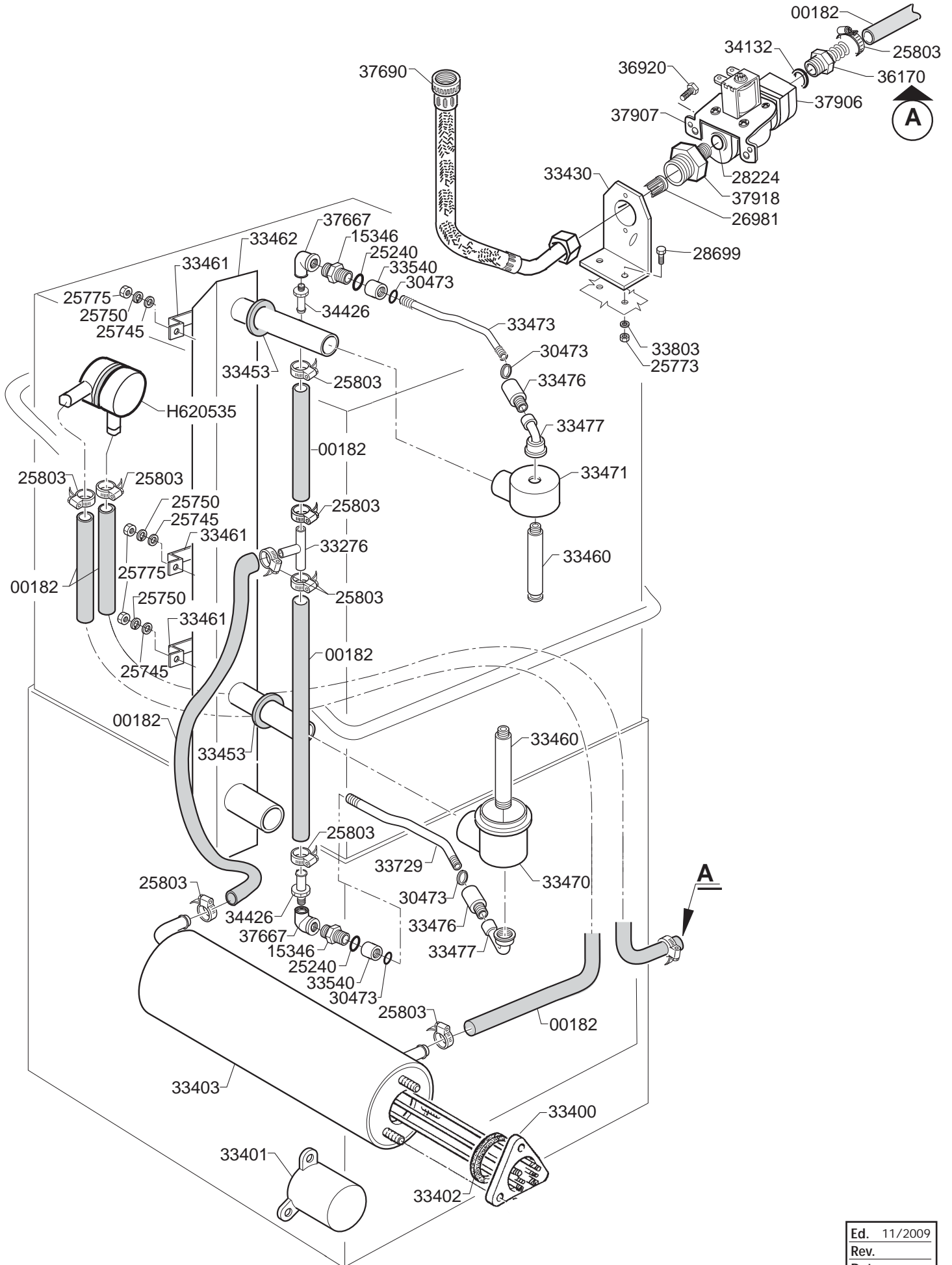
PT series



RINSE ASSEMBLY

FIG. 3/B

PT series



TANK

FIG. 4
 PT series

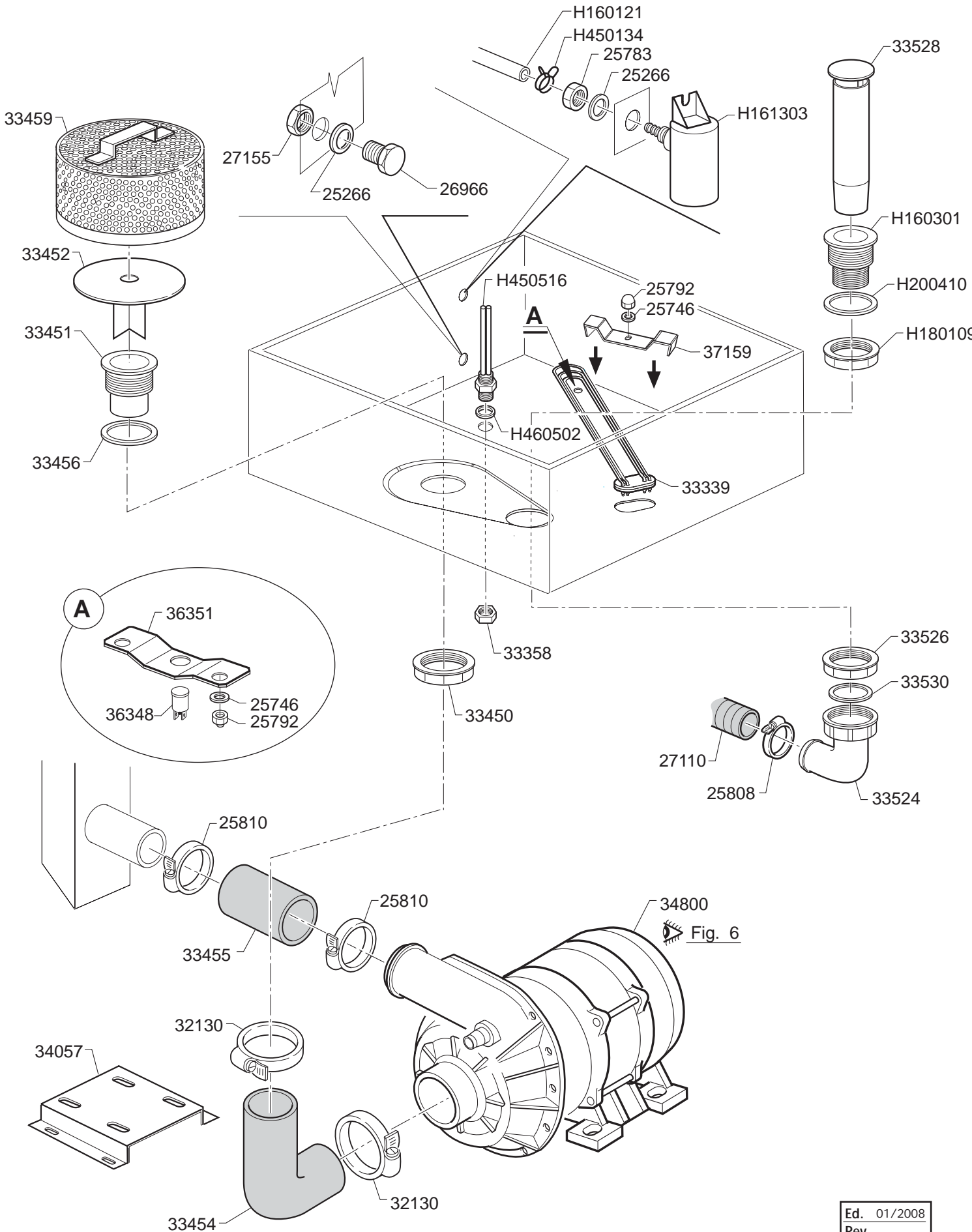


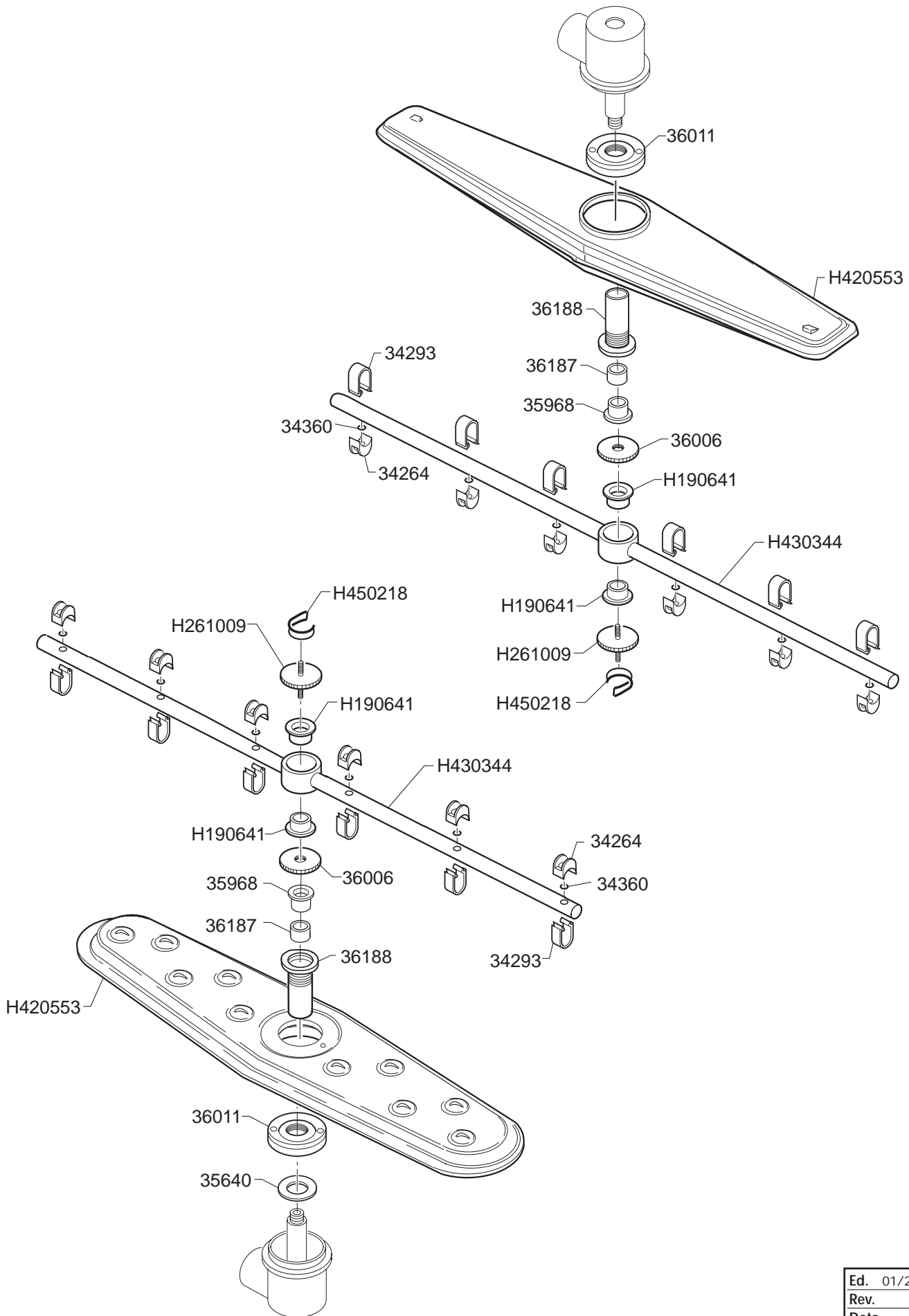
Fig. 6

Ed.	01/2008
Rev.	
Data	

ARM

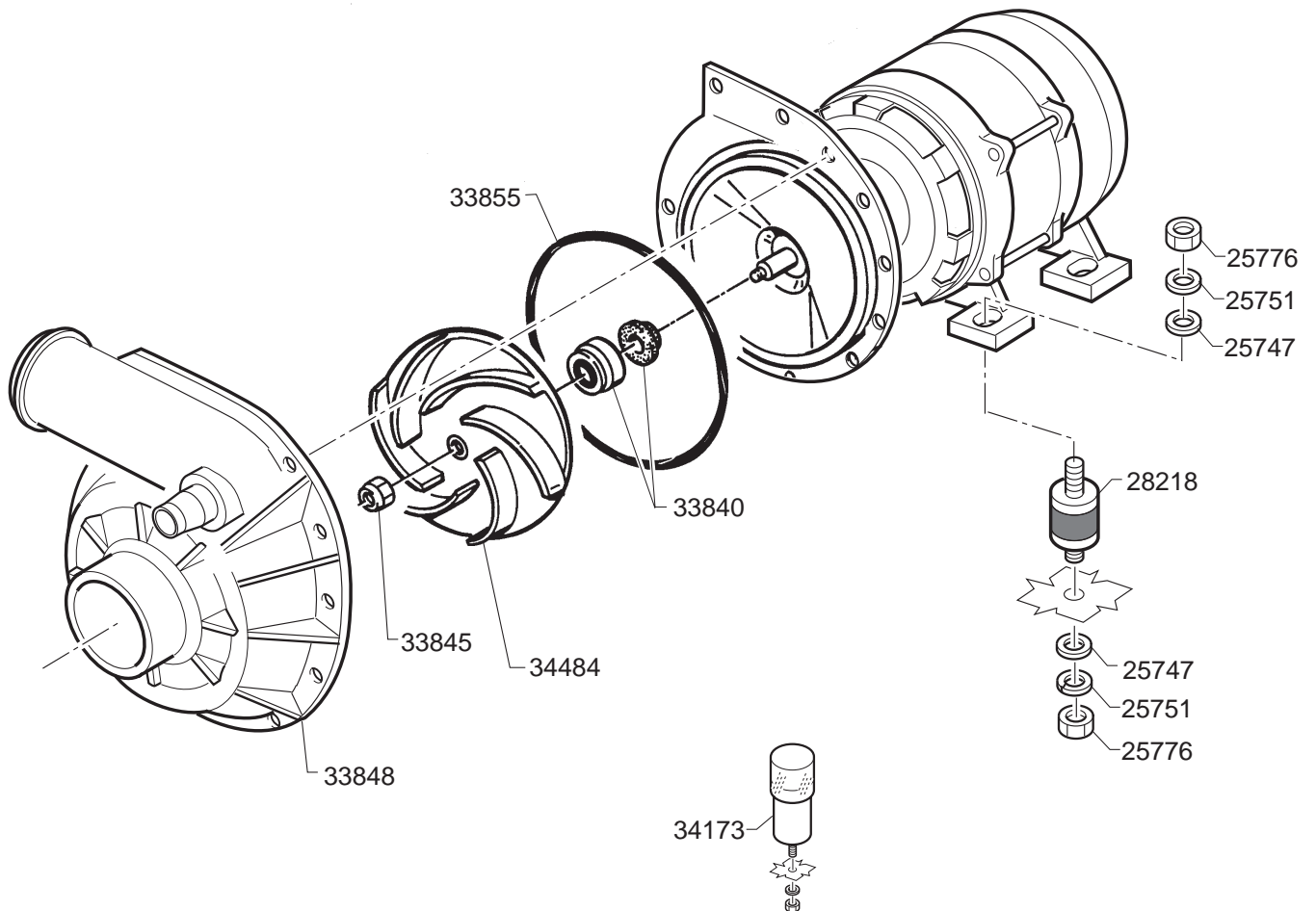
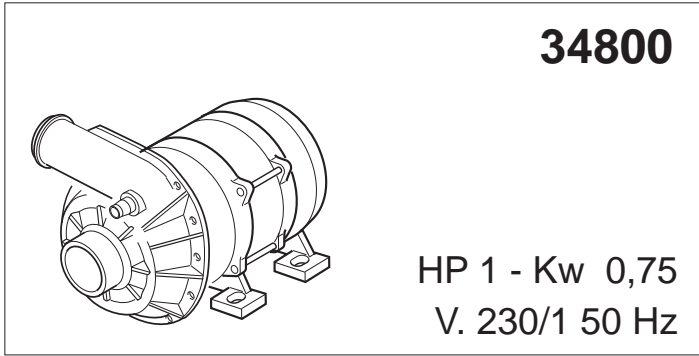
FIG. 5

PT series



PUMP

FIG. 6
PT series



THERMOSTATS
RACK SUPPORT GUIDE
TANK FILTER

FIG. 7

PT series

