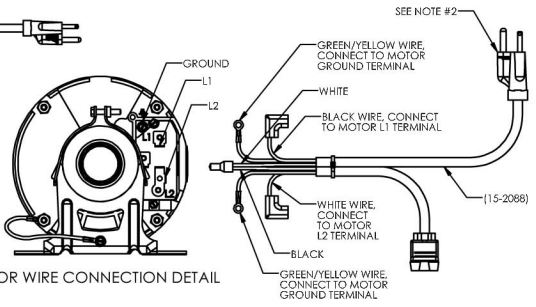


40	1	19-0676	CLAMP, 13/32 I.D., OETIKER, STPLESS NO. 10-S-505R
39	1	E133592-3002	BASE, CARBONATOR WITH 2 FEET
38	1	19-0897	ASSE 1022, BACKFLOW PREVENTER
37	2	19-0268	GASKET, FLARE, 3/8, SAE
36	1	19-0031	VALVE ASSY, PRESSURE RELIEF, CARB. TANK, 180 PSI, RED HANDLE
35	1	19-0028	FITTING, 3/8 MALE FLARE X 3/8 MALE PIPE THREAD, BRASS
34	1	18-1571	TAG, ARF-1
33	1	18-1515	LABEL, MODEL NUMBER, CARBONATOR, F200393
32	1	18-1303	LABEL, CARBONATOR, LARGE
31	1	18-1368	DECAL, TEST STICKER
30	2	18-1350	DECAL, COKE, IC, SERIAL NUMBER
29	1	18-1339	DECAL, CARBONATOR TANK, WARNING, CO2
28	1	18-1075	DECAL, INSPECTION STICKER (11 IHRU 25)
27	1	17-0500	INSTRUCTION, INSTALLATION, CARBONATOR & PROBE (NOT SHOWN)
26	1	16-2220-41	ASSY, PROBE, 220V ELECTRICAL, BLACK CAP
25	1	16-0148	PUMP, BRASS, ROTARY VANE, PROCON
24	1	15-3100	ASSY., TUBING, CARB. WATER INLET & NUT, TARGETANK
23	1	15-3095	ASSY., TANK, McCANN'S CARBONATOR
22	1	15-2088	ASSY., CARB., POWER CORDS, 18/3, 8 FT. (PART OF MOTOR)
21	1	15-1951	ASSY. 115V/220V, PROBE FLOAT, RING
20	1	14-5264	TANK SUPPORT
19	A/R	10-1651	ADHESIVE, LOCTITE, 565 (NOT SHOWN)
18	1	10-6801	MOTOR, 230V
17	4	10-6555	ROUL, 5/16 X 5/8, HEX HEAD
16	3	10-0290	WASHER, LOCK, 5/16, EXT. TOOTH, ZINC PLATED
15	1	10-0281	WASHER, FLAT, ZINC PLATED, 3/4 LD.
14	1	10-0528	SCREW, #10-32 X 3/4, PAN PHILLIPS
13	4	10-0258	WASHER, LOCK, 5/16, SPLIT, ZINC PLATED
12	2	10-0257	WASHER, LOCK, # 1/4, SPLIT, SS
11	3	09-1877	STUD, PROBE
10	3	10-2006	PLUG, CAP, VC-600-B, BLACK
9	1	10-1877	PLUG, CAP, VC-375-B, BLACK
8	0.083	07-0247	CARTON INSERT FOR CARBONATOR, PALLET, 28 X 42, 200 LB. (NOT SHOWN)
7	1	07-0278	CARTON, CARBONATOR, LARGE, BLACK (NOT SHOWN)
6	1	01-1649	TUBING, PVC, 1/4 ID X 3/8 OD, CLEAR, CUT 12"
5	1	00-1222	CLAMP, V-BAND, CARBONATOR
4	2	00-1217	FOOT
3	4	00-1077	NUT, HEX, 5/16-18, ZINC PLATED
2	1	00-0968	CHECK VALVE, CARBONATOR, SINGLE, 1/4 MALE FLARE
1	2	00-0424	NUT, HEX, 10-32, ZINC PLATED
ITEM NO.	QTY.	PART NO.	DESCRIPTION



MOTOR WIRE CONNECTION DETAIL


McCann's
 Engineering & Mfg. Co.
 1570 W. Colorado Blvd.
 Los Angeles, CA 90032

ASSY., CARBONATOR, LARGE,
 220 V, 2-SODA, ASSE 1022

E200393