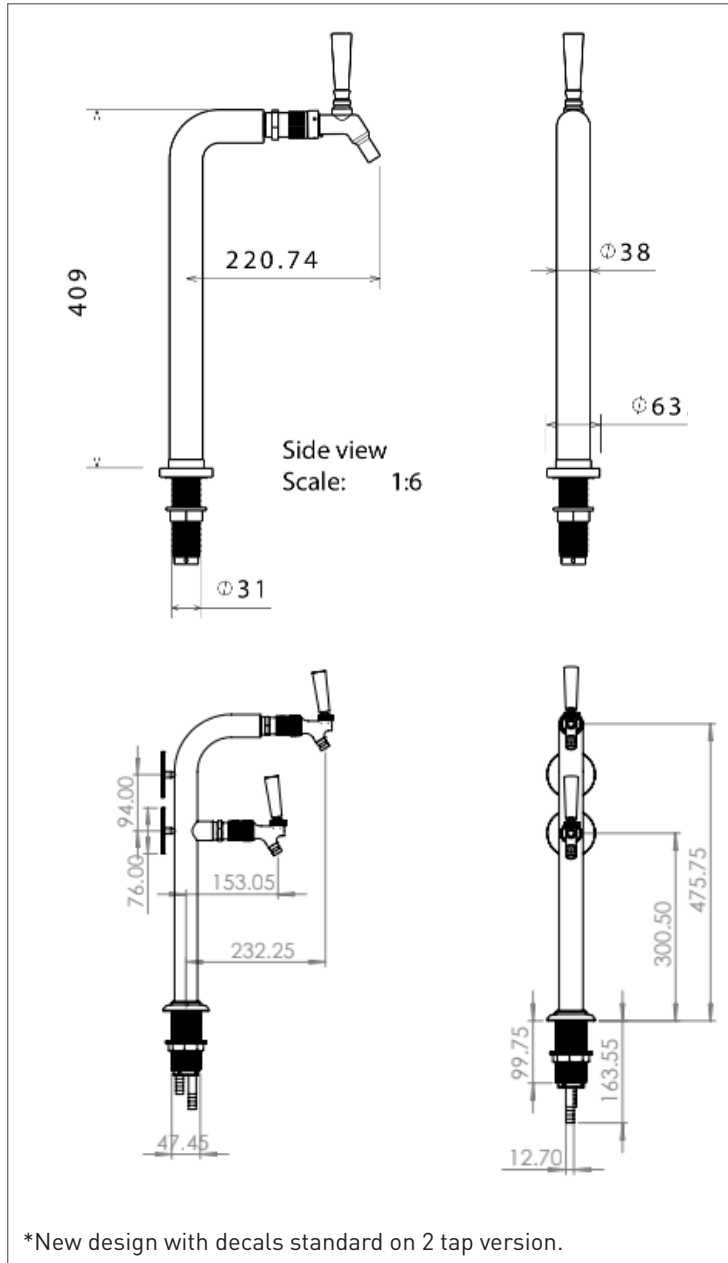
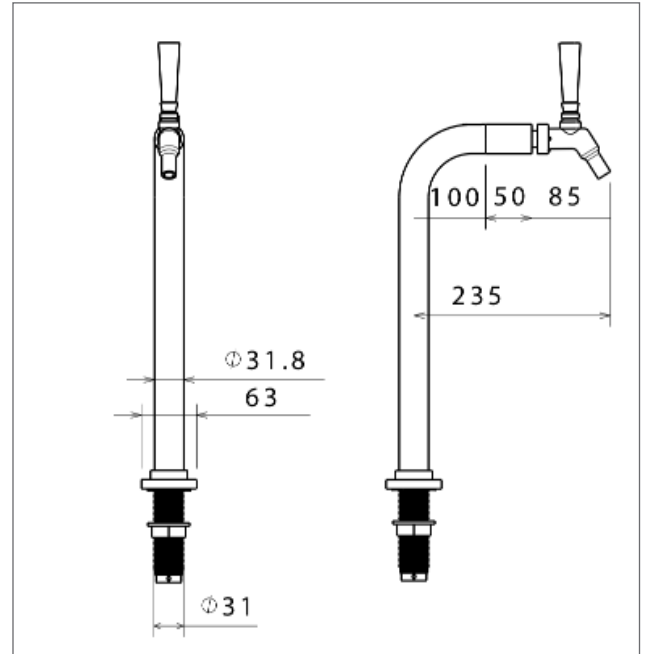


HOCKEY



CHARLIE



OPTIONS



Hockey 1 or 2 taps
Charlie 1 tap



Flooded or Recirculated
COOLING METHOD



4 or 5 mm
RISER LINE SIZE



3/4" or direct tower to tap
TOWER CONNECTION