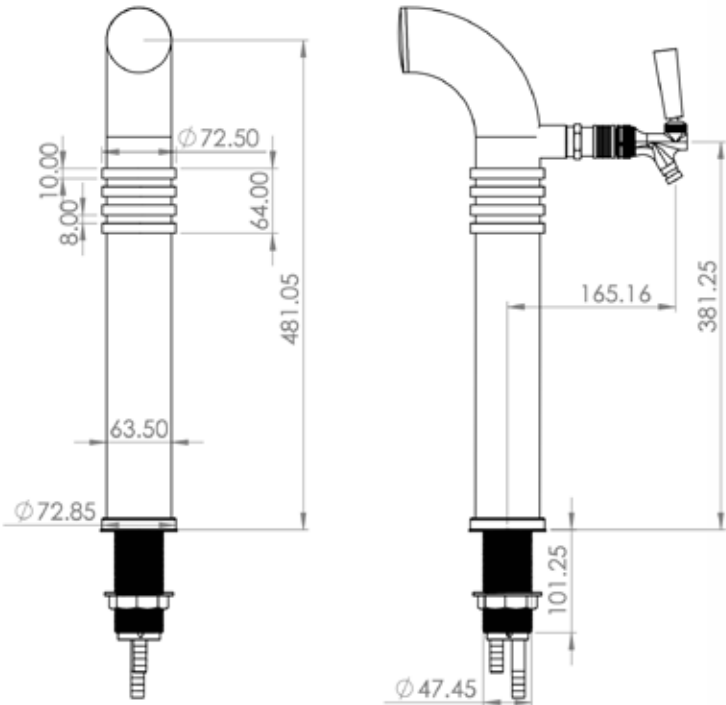


# REVERSE 90 BRACTON FONTS



### OPTIONS



1  
NUMBER OF TAPS



Flooded or Recirculated  
COOLING METHOD



4 or 5 mm  
RISER LINE SIZE



3/4" or direct tower to tap  
TOWER CONNECTION