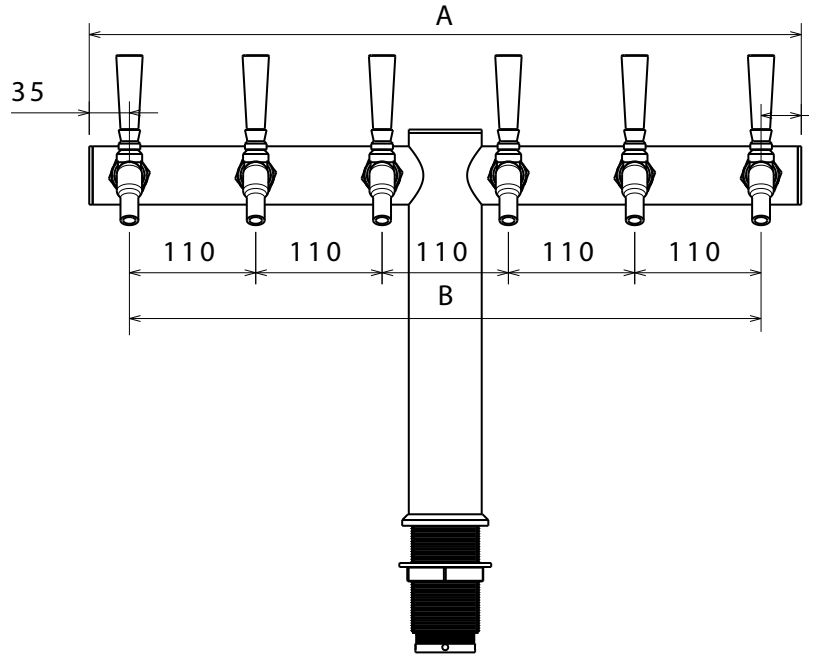
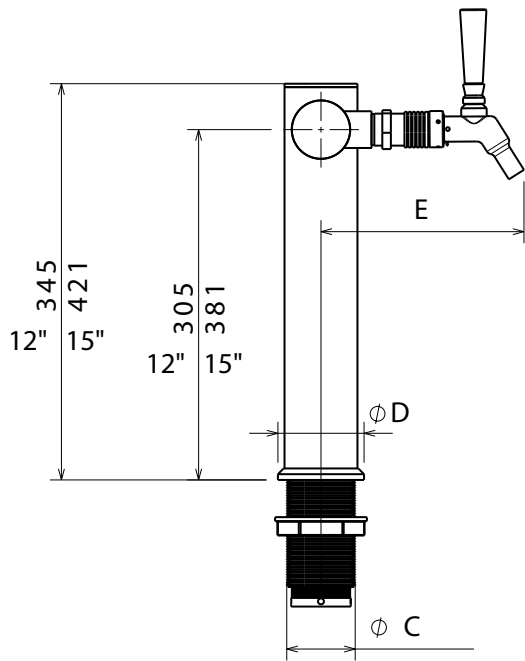


# TEE BARS BRACTON FONTS



## OPTIONS



1- 10  
NUMBER OF TAPS



Flooded or Recirculated  
COOLING METHOD



4 or 5 mm  
RISER LINE SIZE



3/4" or direct tower to tap  
TOWER CONNECTION



## DIMENSIONS

| # TAPS | A    | B    | C    | D    | E   |
|--------|------|------|------|------|-----|
| 1      | 51   | 0    | 33.1 | 60.2 | 183 |
| 2      | 180  | 110  | 48   | 75   | 177 |
| 3      | 290  | 220  | 48   | 75   | 183 |
| 4      | 400  | 330  | 48   | 75   | 177 |
| 5      | 510  | 440  | 60   | 89   | 189 |
| 6      | 620  | 550  | 60   | 89   | 177 |
| 8      | 840  | 770  | 60   | 89   | 177 |
| 10     | 1060 | 990  | 76   | 98   | 177 |
| 12     | 1280 | 1210 | 76   | 98   | 177 |